

Autoloading Rimfire Rifle



WILDCAT

IMPORTANT: When ordering, list part number, part name, gun gauge/caliber and serial number. Please specify grade. Prices F.O.B. point of shipment – subject to change without notice. Prices effective January 1, 2024.

Ref. #	Part #	Description
5	U2100079AM	MUZZLE PROTECTOR, 1/2-28, BLACK
5	U210010185	MUZZLE PROTECTOR, 1/2-28, FDE
6	U2100017AA	FRONT SIGHT
7	U2100018AJ	FRONT SIGHT, RETAINING SCREW
8	U2100032AJ	TRIGGER PIN
9	* U2100020AJ	BARREL SHOULDER SCREW
10	* U2100021AJ	BARREL SHOULDER SCREW NUT
11	U2100022AA	ACTION SCREW RETAINING FLAT NUT
12	U2100023AJ	ACTION SCREW (FRONT & REAR)
13	U2100050W1	REAR SIGHT ASSEMBLY (BASE & APERTURE)
15	U2100025AJ	REAR SIGHT SCREW
16	U2100026AJ	REAR SIGHT NUT
20	U2100003E0	SLIDE GUIDE ROD
21	U2100004AA	SLIDE GUIDE ROD SPRING
22	U2100068AJ	DELAY ARM
23	U2100061AJ	DELAY ARM PIN
24	U2100060AJ	CAM
25	U2100063AA	DELAY SPRING
26	U2100005E0	COCKING HANDLE
27	* U2100006AJ	EXTRACTOR
28	* U2100007AA	EXTRACTOR SPRING
29	* U2100008E2	EXTRACTOR PIN
30	U2100009AJ	FIRING PIN
31	U2100010AA	STRIKER RETURN SPRING
32	U2100011AJ	STRIKER
33	U2100012AJ	STRIKER GUIDE ROD
34	U2100013AA	MAINSRING
35	U2100066AA	TRIGGER/FIRING PIN RETAINER BUTTON (RED)
38	N/A	TRIGGER ASSEMBLY/RECEIVER
39	U2100148EW	DELAY BUSHING
40	U2100062AJ	DELAY BUSHING PIN
44	*** U2100034EW	SEAR
45	*** U2100035AA	SEAR SPRING
46	*** U2100036AA	SAFETY
47	* U2100037AA	TRIGGER/SAFETY SPRING
48	* U2100038AA	SLIDE LATCH LEVER (RED)
49	* U2100039EW	SLIDE LATCH
53	* U2100042AA	SLIDE LOCK
54	* U2100043AJ	SLIDE LOCK PLUNGER
55	* U2100044AA	SLIDE LOCK SPRING
56	* U2100045AA	MAGAZINE RELEASE ASSEMBLY (RED)
60	U2100052AA	MAGAZINE ASSEMBLY (10 ROUND)
67	U210010178	STOCK ASSEMBLY, FDE
67	U210010183	STOCK ASSEMBLY, FORGED CARBON GRAY
67	U2100082AA	STOCK ASSEMBLY, GRAY
67	U210010180	STOCK ASSEMBLY, KUIU VERDE
67	U210010184	STOCK ASSEMBLY, MIDNIGHT
67	U210010186	STOCK ASSEMBLY, MOBL
67	U210010181	STOCK ASSEMBLY, OD GREEN
67	U2100111AA	STOCK ASSEMBLY, SPORTER
67	U210010176	STOCK ASSEMBLY, STRATA
67	U210010188	STOCK ASSEMBLY, TT PRAIRIE
67	U210010182	STOCK ASSEMBLY, VSX
67	U210010187	STOCK ASSEMBLY, WOODLAND
69	U2100070AA	PISTOL GRIP CAP, BLACK
70	U2100072AA	FOREND PICATINNY COVER, BLACK

Ref. #	Part #	Description
71	U2100071AA	RECOIL PAD, FOR COMPOSITE STOCK
71	U2100109AA	RECOIL PAD, FOR SPORTER STOCK
72	U2100110AA	RECOIL PAD SCREWS, FOR SPORTER STOCK
72	U2100083AA	RECOIL PAD SCREW, FOR COMPOSITE STOCK
N/A	U2100108AA	STOCK INSERT, FOR SPORTER STOCK

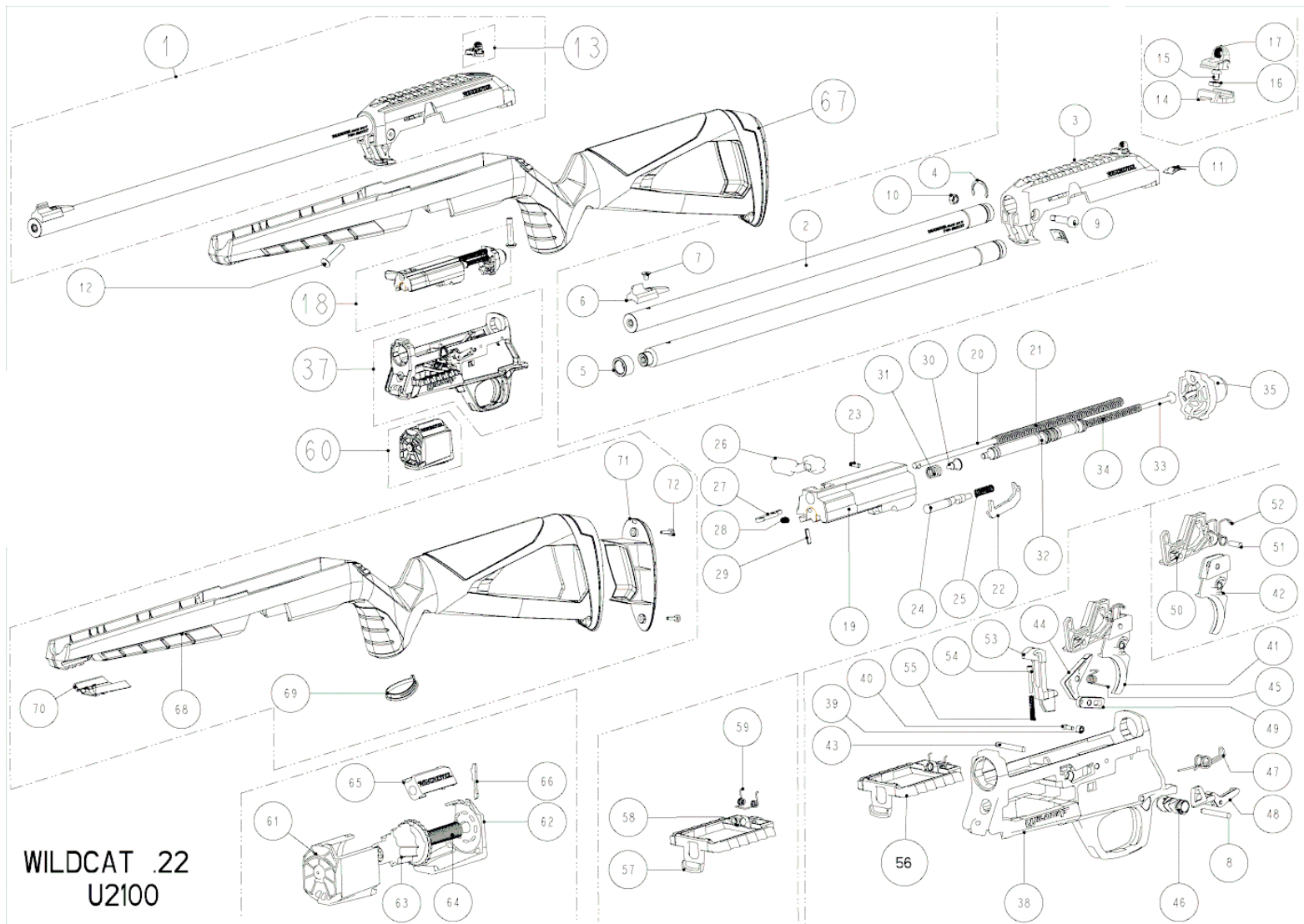
*Indicates part must be fitted by Winchester Repeating arms Service Department or qualified gunsmith.
 **Factory installation only - Return firearm for installation.
 +Part may be purchased only by holders of current, valid Federal Firearms License.
 NOTE: unless otherwise indicated, part is interchangeable between gauges/calibers.

Autoloading Rimfire Rifle



WILDCAT

NOTE: WHEN ORDERING PARTS, USE THE PART NUMBER AND NOT THE SCHEMATIC REFERENCE NUMBER.



Schematic is provided for parts identification only and should not be used as a guide to assemble guns. CAUTION: Winchester parts are not recommended for use in other guns though models may be similar. Inadequately fitted parts may be dangerous.

Winchester Gun Parts Price List