

Pump-Action Shotgun 12 Gauge



IMPORTANT: When ordering, list part number, part name, gun gauge/caliber and serial number. Please specify grade. Prices F.O.B. point of shipment – subject to change without notice. Prices effective January 1, 2024.

Ref. #	Part #	Description	Ref. #	Part #	Description
1	U1280608RT	BARREL, 12, 3, DEFENDER, DARK EARTH, 18"	1	U1280841RT	BARREL, 12, 3.5, FDE, 26"
1	U128600118	BARREL, 12, 3, DEFENDER, FC GRAY, 18"	1	U1280843RT	BARREL, 12, 3.5, FDE, 28"
1	U1280608RG	BARREL, 12, 3, DEFENDER, GRAY, 18"	1	U128015177	BARREL, 12, 3.5, FDE, TURKEY, 24"
1	U1280304A7	BARREL, 12, 3, DEFENDER, MARINE, 18"	1	U128600109	BARREL, 12, 3.5, HYBRID, GRAY PC ,28"
1	U1280586BA	BARREL, 12, 3, DEFENDER, OD GRREN, 18"	1	U1280698R3	BARREL, 12, 3.5, KRYP HIGHLANDER, 28"
1	U1280586WF	BARREL, 12, 3, DEFENDER/TRENCH, BLACK, 18"	1	U1280639WF	BARREL, 12, 3.5, MATTE, BLACK, 24"
1	U128600112	BARREL, 12, 3, EXTREME DEFENDER, GRAY PC , 18"	1	U1280112WF	BARREL, 12, 3.5, MATTE, BLACK, 26"
1	U1280244WF	BARREL, 12, 3, EXTREME/BLACK SHADOW DEER, RIFLED, 22"	1	U1280114WF	BARREL, 12, 3.5, MATTE, BLACK, 28"
1	U1280289WF	BARREL, 12, 3, EXTREME/ULTIMATE DEFENDER, BLACK, 18"	1	U1280565WX	BARREL, 12, 3.5, MOBL, 26"
1	U1280300A7	BARREL, 12, 3, EXTREME/ULTIMATE DEFENDER, CHROME, 18"	1	U1280566WX	BARREL, 12, 3.5, MOBL, 28"
1	U1280833RT	BARREL, 12, 3, EXTREME/ULTIMATE DEFENDER, FDE, 18"	1	U12805333K	BARREL, 12, 3.5, MOBUC, 24"
1	U1280842RT	BARREL, 12, 3, FDE, 26"	1	U12805343K	BARREL, 12, 3.5, MOBUC, 26"
1	U1280823RT	BARREL, 12, 3, FDE, 28"	1	U12805353K	BARREL, 12, 3.5, MOBUC, 28"
1	U1280107WF	BARREL, 12, 3, GLOSS, 26"	1	U12803943K	BARREL, 12, 3.5, MOBUC, TURKEY, 24"
1	U1280108WF	BARREL, 12, 3, GLOSS, 28"	1	U12805563K	BARREL, 12, 3.5, MOBUC, TURKEY, 24" (WITH LONG BEARD CHOKE)
1	U128600108	BARREL, 12, 3, HYBRID, GRAY PC ,28"	1	U1280328BH	BARREL, 12, 3.5, MODNA, 24"
1	U1280706R3	BARREL, 12, 3, KRYP HIGHLANDER, 28"	1	U1280112BH	BARREL, 12, 3.5, MODNA, 26"
1	U128600122	BARREL, 12, 3, MATTE, 20"	1	U1280114BH	BARREL, 12, 3.5, MODNA, 28"
1	U1280735WF	BARREL, 12, 3, MATTE, 22"	1	U1280329BH	BARREL, 12, 3.5, MODNA, TURKEY, 24"
1	U1280320WF	BARREL, 12, 3, MATTE, 24"	1	U1280640F1	BARREL, 12, 3.5, MOOB, 24"
1	U1280104WF	BARREL, 12, 3, MATTE, 26"	1	U1280323XW	BARREL, 12, 3.5, MOSGB, 26"
1	U1280106WF	BARREL, 12, 3, MATTE, 28"	1	U1280324XW	BARREL, 12, 3.5, MOSGB, 28"
1	U1280267WF	BARREL, 12, 3, MATTE, TURKEY, 24"	1	U1280112BD	BARREL, 12, 3.5, MOSGH, 26"
1	U1280574WX	BARREL, 12, 3, MOBL, 28"	1	U1280114BD	BARREL, 12, 3.5, MOSGH, 28"
1	U1280573WX	BARREL, 12, 3, MOBL, TURKEY, 24"	1	U128600133	BARREL, 12, 3.5, RT LEGACY, 26"
1	U12805303K	BARREL, 12, 3, MOBUC, 24"	1	U128600129	BARREL, 12, 3.5, RT LEGACY, 28"
1	U12805313K	BARREL, 12, 3, MOBUC, 26"	1	U1280344X3	BARREL, 12, 3.5, RT MAX-5, 28"
1	U12805323K	BARREL, 12, 3, MOBUC, 28"	1	U1280112WL	BARREL, 12, 3.5, RT MAX-7, 26"
1	U12804983K	BARREL, 12, 3, MOBUC, TURKEY, 24"	1	U1280114WL	BARREL, 12, 3.5, RT MAX-7, 28"
1	U1280104BH	BARREL, 12, 3, MODNA, 26"	1	U128011279	BARREL, 12, 3.5, RT TIMBER, 26"
1	U1280106BH	BARREL, 12, 3, MODNA, 28"	1	U128011479	BARREL, 12, 3.5, RT TIMBER, 28"
1	U1280267BH	BARREL, 12, 3, MODNA, TURKEY, 24"	1	U1280114R5	BARREL, 12, 3.5, TT DRT, 28"
1	U1280267F1	BARREL, 12, 3, MOOB, TURKEY, 24"	1	U12801128V	BARREL, 12, 3.5, TT PRAIRIE, 26"
1	U1280321XW	BARREL, 12, 3, MOSGB, 26"	1	U12801148V	BARREL, 12, 3.5, TT PRAIRIE, 28"
1	U1280322XW	BARREL, 12, 3, MOSGB, 28"	1	U1280695R8	BARREL, 12, 3.5, TT VSX, 28"
1	U1280104BD	BARREL, 12, 3, MOSGH, 26"	1	U1280112BF	BARREL, 12, 3.5, WOODLAND, 26"
1	U1280106BD	BARREL, 12, 3, MOSGH, 28"	1	U1280114BF	BARREL, 12, 3.5, WOODLAND, 28"
1	U128600135	BARREL, 12, 3, RT LEGACY, 26"	2	U1280027AJ	BREECH BOLT, 3"-3.5"
1	U128600134	BARREL, 12, 3, RT LEGACY, 28"	3	U1280025WF	BREECH BOLT SLIDE, 3"
1	U1280336X3	BARREL, 12, 3, RT MAX-5, 28"	3	U1280131WF	BREECH BOLT SLIDE, 3.5"
1	U1280104WL	BARREL, 12, 3, RT MAX-7, 26"	5	U1280028AJ	CAM PIN, BLACK
1	U1280106WL	BARREL, 12, 3, RT MAX-7, 28"	9	U1280758AJ	CARRIER DOG PLUNGER
1	U128010479	BARREL, 12, 3, RT TIMBER, 26"	10	U1280759AE	CARRIER DOG SPRING
1	U128010679	BARREL, 12, 3, RT TIMBER, 28"	11	***	U1280334AJ DISCONNECTOR ASSEMBLY
1	U128600125	BARREL, 12, 3, TRAP, GLOSS, 30"	12	***	U1280051AE DISCONNECTOR SPRING
1	U128600126	BARREL, 12, 3, TRAP, GLOSS, 32"	13	U1280011AJ	EJECTOR, 3"
1	U1280359WF	BARREL, 12, 3, TRAP, MATTE, 28"	13	U1280140AJ	EJECTOR, 3.5"
1	U1280360WF	BARREL, 12, 3, TRAP, MATTE, 30"	14	U1280012AJ	EJECTOR RETAINER
1	U1280361WF	BARREL, 12, 3, TRAP, MATTE, 32"	15	U1280013AJ	EJECTOR RETAINER SCREW
1	U12801048V	BARREL, 12, 3, TT PRAIRIE 26"	16	U1280150AE	EJECTOR SPRING, 3.5"
1	U12801068V	BARREL, 12, 3, TT PRAIRIE 28"	16	U1280014AE	EJECTOR SPRING, 3"
1	U1280696R8	BARREL, 12, 3, TT VSX, 28"	17	U1280029AJ	EXTRACTOR
1	U1280104BF	BARREL, 12, 3, WOODLAND, 26"	18	U1280030AE	EXTRACTOR SPRING
1	U1280106BF	BARREL, 12, 3, WOODLAND, 28"	19	U1280031E2	FIRING PIN, 3"
1	U1280328WF	BARREL, 12, 3.5, BLACK, 24"	19	U1280129E2	FIRING PIN, 3.5"
			20	U1280033AJ	FIRING PIN COLLAR
			21	U1280032AE	FIRING PIN SPRING

*Indicates part must be fitted by Winchester Repeating arms Service Department or qualified gunsmith.
 **Factory installation only - Return firearm for installation.
 +Part may be purchased only by holders of current, valid Federal Firearms License.
 NOTE: unless otherwise indicated, part is interchangeable between gauges/calibers.

Pump-Action Shotgun 12 Gauge



IMPORTANT: When ordering, list part number, part name, gun gauge/caliber and serial number. Please specify grade. Prices F.O.B. point of shipment – subject to change without notice. Prices effective January 1, 2024.

Ref. #	Part #	Description
22	U1280123FN	FOREARM WASHER
23	U1280097AA	FOREARM, 12, BLACK SHADOW, BLACK
23	U1280080AA	FOREARM, 12, DEFENDER, BLACK
23	U128600114	FOREARM, 12, DEFENDER, CARBON GRAY
23	U1280612RT	FOREARM, 12, DEFENDER, DARK EARTH
23	U1280680R4	FOREARM, 12, DEFENDER, KRYP TYPHON
23	U1280080BA	FOREARM, 12, DEFENDER, OD GREEN
23	U1280695R7	FOREARM, 12, DEFENDER, TT WESTERN VIPER
23	U128008076	FOREARM, 12, DEFENDER, TT STRATA
23	U1280080BF	FOREARM, 12, DEFENDER, WOODLAND
23	U1280257EK	FOREARM, 12, FIELD, WALNUT, SATIN, GRD1
23	U1280650EK	FOREARM, 12, FIELD, WALNUT, SATIN, GRD2
23	U1280703R3	FOREARM, 12, KRYP HIGHLANDER
23	U1280571WX	FOREARM, 12, MOBL
23	U12803793K	FOREARM, 12, MOBUC
23	U1280172F9	FOREARM, 12, MODB
23	U1280097BH	FOREARM, 12, MODNA
23	U1280199W7	FOREARM, 12, MOINF
23	U1280646F1	FOREARM, 12, MOOB
23	U1280318XW	FOREARM, 12, MOSGB
23	U1280097BD	FOREARM, 12, MOSGH
23	U128600131	FOREARM, 12, RT LEGACY
23	U1280231XP	FOREARM, 12, RT MAX-4
23	U1280341X3	FOREARM, 12, RT MAX-5
23	U1280097WL	FOREARM, 12, RT MAX-7
23	U128085079	FOREARM, 12, RT TIMBER
23	U1280332X5	FOREARM, 12, RT XTRA
23	U128600128	FOREARM, 12, TRAP, TURKISH WALNUT, HG
23	U1280362EK	FOREARM, 12, TRAP, WALNUT, SATIN
23	U1280897EK	FOREARM, 12, TRENCH
23	U1280669R5	FOREARM, 12, TT DRT
23	U128015171	FOREARM, 12, TT MIDNIGHT
23	U1280692R8	FOREARM, 12, TT VSX
23	U12800978V	FOREARM, 12, TT PRAIRIE
23	U128084476	FOREARM, 12, TT STRATA
23	U1280097BF	FOREARM, 12, WOODLAND
24	***	U1280761AJ HAMMER
25	***	U1280050AJ SEAR TUBE
26	***	U1280465AJ HAMMER HOUSING ASSEMBLY
27	***	U1280039AJ HAMMER PIN
28	*	U1280041AE HAMMER SPRING
29	*	U1280040AE HAMMER SPRING SUPPORT
30		U1280119AA MAGAZINE 3-SHOT ADAPTER, 12, 3", 3+1
30		U1280020AA MAGAZINE 3-SHOT ADAPTER, 12, 3", 4+1
31		U1280253AT MAGAZINE CAP, 12, BLACK
31		U1280087AT MAGAZINE CAP, 12, BLACK, W/ SLING EYELET
31		U1280213A7 MAGAZINE CAP, 12, CHROME, W/ SLING EYELET
31		U128600120 MAGAZINE CAP, 12, FORGED CARBON GRAY, W/EYELET
31		U1280700R3 MAGAZINE CAP, 12, KRYP HIGHLANDER, W/ SLING EYELET
31		U1280677R4 MAGAZINE CAP, 12, KRYP TYPHON, W/ SLING EYELET
31		U1280568WX MAGAZINE CAP, 12, MOBL, W/ SLING EYELET
31		U12803963K MAGAZINE CAP, 12, MOBUC, W/ SLING EYELET
31		U1280194F9 MAGAZINE CAP, 12, MODB, W/ SLING EYELET
31		U1280087BH MAGAZINE CAP, 12, MODNA, W/SLING EYELET
31		U1280196W7 MAGAZINE CAP, 12, MOINF, W/ SLING EYELET
31		U1280643F1 MAGAZINE CAP, 12, MOOB, W/ SLING EYELET
31		U1280235XW MAGAZINE CAP, 12, MOSGB, W/ SLING EYELET

Ref. #	Part #	Description
31	U1280087BD	MAGAZINE CAP, 12, MOSGH, W/SLING EYELET
31	U1280087BA	MAGAZINE CAP, 12, OD GREEN, W/SLING EYELET
31	U128600132	MAGAZINE CAP, 12, RT LEGACY, W/ SLING EYELET
31	U1280338XP	MAGAZINE CAP, 12, RT MAX-4, W/ SLING EYELET
31	U1280347X3	MAGAZINE CAP, 12, RT MAX-5, W/ SLING EYELET
31	U1280087WL	MAGAZINE CAP, 12, RT MAX-7, W/SLING EYELET
31	U128085579	MAGAZINE CAP, 12, RT TIMBER, W/SLING EYELET
31	U1280087R5	MAGAZINE CAP, 12, TT DRT, W/SLING EYELET
31	U12800878V	MAGAZINE CAP, 12, TT PRAIRIE, W/SLING EYELET
31	U128008776	MAGAZINE CAP, 12, TT STRATA, W/SLING EYELET
31	U1280087BF	MAGAZINE CAP, 12, WOODLAND, W/SLING EYELET
32	U1280090W1	MAGAZINE TUBE, 3", BLACK, 3+1
32	U1280017W1	MAGAZINE TUBE, 3", BLACK, 4+1
32	U1280017A7	MAGAZINE TUBE, 3", CHROME, 4+1
32	U1280149W1	MAGAZINE TUBE, 3.5", BLACK, 3+1
33	U1280018AA	MAGAZINE FOLLOWER
34	U1280019AE	MAGAZINE SPRING
35	U1280021AA	MAGAZINE SPRING RETAINER, 3"
35	U1280121AA	MAGAZINE SPRING RETAINER, 3.5"
36	*	U1280689AA MAGAZINE THROAT
38	BST80273AA	RECOIL PAD, COMPOSITE STOCKS
38	BST80274AA	RECOIL PAD, WOOD STOCKS
39	BST80270EX	RECOIL PAD SCREW, COMPOSITE STOCKS
39	BST80269EX	RECOIL PAD SCREW, WOOD STOCKS
40	*	U1280066AK CARRIER ASSEMBLY, 3", BLACK
40	**	U1280143AK CARRIER ASSEMBLY, 3.5", BLACK
41	***	U1280774AJ SEAR HOUSING ASSEMBLY
44		BST80355AA SIGHT, FRONT, TRAP, TRU GLO (GREEN)
44		BST80251AJ SIGHT, FRONT, BUCK/ DEER
44		U1280006AA SIGHT, FRONT, DEFENDER, SILVER BEAD (3.5XM3)
44		BST80210AA SIGHT, FRONT, DEFENDER, TRUGLO, HOME DEFENSE FIBER OPTIC
44		BST7663101 SIGHT, FRONT, EXTRE/DEER, RED, FIBER
44		U1280188AA SIGHT, FRONT, FIELD (3.9XM3)
44		BST17273AA SIGHT, FRONT, TURKEY, TRUGLO, RED
44		BST17353AA SIGHT, FRONT, WATERFOWL, TRUGLO, RED
45		U1280884AJ SLIDE ARM, 3", BLACK
45		U1280884A7 SLIDE ARM, 3", CHROME
45		U1280885AJ SLIDE ARM, 3.5", BLACK
46		U1280083AJ SLIDE ARM EXTENSION, BLACK
46		U1280083A7 SLIDE ARM EXTENSION, CHROME
47		U1280085AK SLIDE ARM EXTENSION CAP, BLACK
47		U1280085A7 SLIDE ARM EXTENSION CAP, CHROME
48		U1280086AA SLIDE ARM EXTENSION CAP RING
49		U1280060AJ SLIDE SUPPORT ASSEMBLY, 3", (LEFT)
49		U1280139AJ SLIDE SUPPORT ASSEMBLY, 3.5", (LEFT)
50		U1280056AJ SLIDE SUPPORT ASSEMBLY, 3", (RIGHT)
50		U1280137AJ SLIDE SUPPORT ASSEMBLY, 3.5", (RIGHT)
51		U1280063AJ SLIDE SUPPORT SCREW
52		U128600127 STOCK, 12, TRAP, TURKISH WALNUT, HG
52		U1280602EK STOCK, 12-20, BEECH, GRD1, SATIN
52		U1280151AE STOCK, 12-20, BLACK
52		U1280614RT STOCK, 12-20, DARK EARTH
52		U1280564AE STOCK, 12-20, EXTREME /SHADOW, BLACK
52		U128600113 STOCK, 12-20, FC GRAY, EXTREM
52		U1280618RT STOCK, 12-20, FDE, EXTREME
52		U1280737EK STOCK, 12-20, FIELD, MICRO, WALNUT
52		U1280271EK STOCK, 12-20, FIELD, WALNUT, SATIN, GRD1

*Indicates part must be fitted by Winchester Repeating arms Service Department or qualified gunsmith.
 **Factory installation only - Return firearm for installation.
 +Part may be purchased only by holders of current, valid Federal Firearms License.
 NOTE: unless otherwise indicated, part is interchangeable between gauges/calibers.

Pump-Action Shotgun 12 Gauge



IMPORTANT: When ordering, list part number, part name, gun gauge/caliber and serial number. Please specify grade. Prices F.O.B. point of shipment – subject to change without notice. Prices effective January 1, 2024.

Ref. #	Part #	Description
52	U1280272EK	STOCK, 12-20, FIELD, WALNUT, SATIN, COMPACT
52	U1280601EK	STOCK, 12-20, FIELD, WALNUT, SATIN, GRD2
52	U128600116	STOCK, 12-20, FORGED CARBON GRAY
52	U1280702R3	STOCK, 12-20, KRYP HIGHLANDER
52	U1280679R4	STOCK, 12-20, KRYP TYPHON
52	U1280674R4	STOCK, 12-20, KRYP TYPHON, EXTREME /SHADOW
52	U1280570WX	STOCK, 12-20, MOBL
52	U1280575WX	STOCK, 12-20, MOBL, EXTREME /LONG BEARD
52	U12804933K	STOCK, 12-20, MOBUC
52	U12805593K	STOCK, 12-20, MOBUC, EXTREME /LONG BEARD
52	U1280161F9	STOCK, 12-20, MODB
52	U1280151BH	STOCK, 12-20, MODNA
52	U1280152BH	STOCK, 12-20, MODNA, EXTREME /LONG BEARD
52	U1280645F1	STOCK, 12-20, MOOB
52	U128600124	STOCK, 12-20, MOOB, EXTREME /LONG BEARD
52	U1280224XW	STOCK, 12-20, MOSGB
52	U1280151BD	STOCK, 12-20, MOSGH
52	U1280151BA	STOCK, 12-20, OD GREEN
52	U128600130	STOCK, 12-20, RT LEGACY
52	U1280230XP	STOCK, 12-20, RT MAX-4
52	U1280340X3	STOCK, 12-20, RT MAX-5
52	U1280151WL	STOCK, 12-20, RT MAX-7
52	U128085379	STOCK, 12-20, RT TIMBER
52	U1280331X5	STOCK, 12-20, RT XTRA
52	U1280366EK	STOCK, 12-20, TRAP, WOOD, SATIN
52	U1280367EK	STOCK, 12-20, TRAP, WOOD, SATIN, COMPACT
52	U1280668R5	STOCK, 12-20, TT DRT
52	U128015170	STOCK, 12-20, TT MIDNIGHT
52	U1280691R8	STOCK, 12-20, TT VSX
52	U1280694R7	STOCK, 12-20, TT WESTERN VIPER
52	U12801518V	STOCK, 12-20, TT PAIRE
52	U128015176	STOCK, 12-20, TT STRATA
52	U128056476	STOCK, 12-20, TT STRATA, EXTREME
52	U1280151BF	STOCK, 12-20, WOODLAND
52	U128600115	STOCK, 12-20, WOODLAND, EXTREME
53	U1280077AX	STOCK BOLT, COMPOSITE STOCKS
53	U1280256AX	STOCK BOLT, WOOD STOCKS
54	U1280079EX	STOCK BOLT WASHER (LOCK WASHER)
55	U1280078AX	STOCK BOLT WASHER (FLAT WASHER)
56	U1117884AA	STOCK DECAL, "W" FOR PISTOL GR
57	* U1280752AA	TRIGGER GUARD
57	* U1280543FV	TRIGGER GUARD, EXTREME /LONG BEARD /SHADOW DEF.
58	* U1280775AA	TRIGGER GUARD ASSEMBLY, 3", EXTREME /LONG BEARD /SHADOW DEF.
58	* U1280760AA	TRIGGER GUARD ASSEMBLY, 3", STANDARD
58	* U1280862FV	TRIGGER GUARD ASSEMBLY, 3.5", EXTREME /LONG BEARD /SHADOW DEF.
58	* U1280860AA	TRIGGER GUARD ASSEMBLY, 3.5", STANDARD
59	* U1280064AJ	TRIGGER GUARD RETAINING PIN
60	*** U1280757AK	SAFETY
61	* U1280755AK	TRIGGER PIN
63	* U1280053AJ	TRIGGER
	* U1280133WF	BREECH BOLT SLIDE COVER, 3.5", BLACK
	U1280276AJ	CHOKE TUBE, BREACHER
	BST182293K	CHOKE TUBE, LONG BEARD, XTRA FULL, MOBUC
	U1280286AJ	GHOST RING REATIANING SCREW, SIDE (FOR PIC. REC. MOUNT)

Ref. #	Part #	Description
	U1280285AJ	GHOST RING REATIANING SCREW, TOP (FOR PIC. REC. MOUNT)
	U1280745AJ	HEAT SHIELD, SCREW
	U1280746W1	HEAT SHIELD, SXP, TRENCH (12GA ONLY)
	U1280278AP	PICATINNY MOUNT, RECEIVER RAIL
	U1280287AJ	PICATINNY MOUNT, RECEIVER RAIL MOUNTING SCREW
	U1280383AP	PICATINNY MOUNT, SIDE MOUNT ASSEMBLY FOR MAGAZINE TUBE (12GA ONLY)
	U1280122AJ	SCOPE BASE / MOUNT FILLER SCREW
	U1280279AP	SIGHT , REAR ASSY, HOUSING AND GHOST RING (FOR PIC. REC. MOUNT)
	* BST3333001	SIGHT, MID-BEAD, WHITE (D2,4X3.2)
	BST80250AJ	SIGHT, REAR, BUCK/DEER
	U1280280AJ	SIGHT, REAR, GHOST RING ONLY (FOR PIC. REC. MOUNT)
	BST17274AA	SIGHT, REAR, TURKEY, TRUGLO, GREEN
	U1280076EX	STOCK CHEEK PIECE SCREW, EXTREME/LONG BEARD /SHADOW DEF.
	U1280542AA	STOCK CHEEK PIECE WASHER, EXTREME /LONG BEARD /SHADOW DEF.
	U1280541AA	STOCK CHEEK PIECE, HIGH, EXTREME /LONG BEARD / SHADOW DEF.
	U1280540AA	STOCK CHEEK PIECE, LOW, EXTREME /LONG BEARD / SHADOW DEF.
	U1280715AA	STOCK LOP 1/4" SPACER
	U1280145HA	STOCK RECOIL PAD PLATE (FOR COMPOSITE STOCKS ONLY)

*Indicates part must be fitted by Winchester Repeating arms Service Department or qualified gunsmith.

**Factory installation only - Return firearm for installation.

+Part may be purchased only by holders of current, valid Federal Firearms License.

NOTE: unless otherwise indicated, part is interchangeable between gauges/calibers.

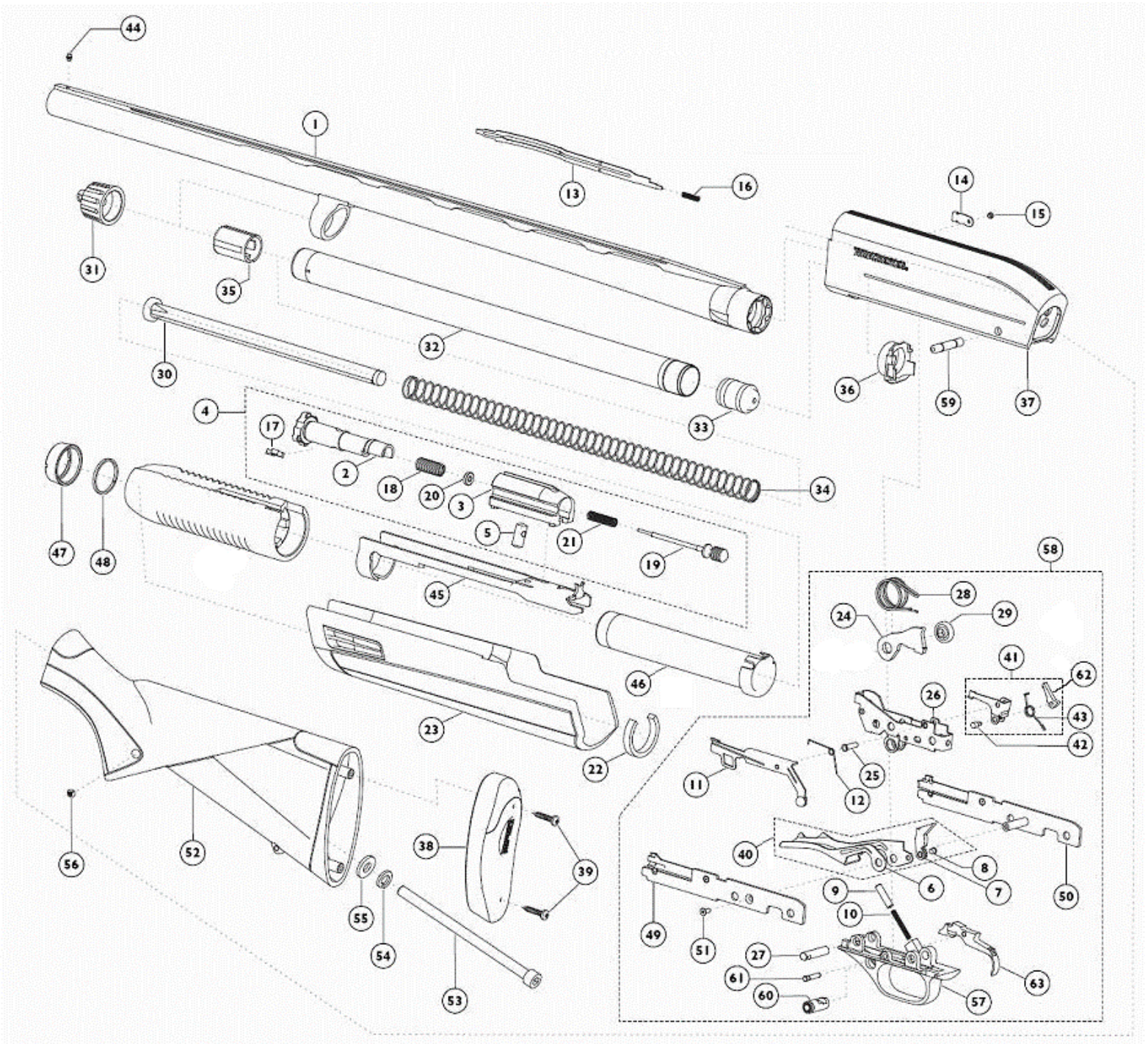
Winchester Gun Parts Price List

Pump-Action Shotgun 12 Gauge



SXP

NOTE: WHEN ORDERING PARTS, USE THE PART NUMBER AND NOT THE SCHEMATIC REFERENCE NUMBER.



Schematic is provided for parts identification only and should not be used as a guide to assemble guns.
CAUTION: Winchester parts are not recommended for use in other guns though models may be similar.
Inadequately fitted parts may be dangerous.

Winchester Gun Parts Price List