

# Pump-Action Shotgun 20 Gauge



IMPORTANT: When ordering, list part number, part name, gun gauge/caliber and serial number. Please specify grade. Prices F.O.B. point of shipment – subject to change without notice. Prices effective January 1, 2024.

Ref. #	Part #	Description
1	U1280587WF	BARREL, 20, 3, DEFENDER, BLACK, 18"
1	U1280513RH	BARREL, 20, 3, DEFENDER, DARK EARTH, 18"
1	U128600119	BARREL, 20, 3, DEFENDER, FC GRAY, 18"
1	U1280609RG	BARREL, 20, 3, DEFENDER, GRAY, 18"
1	U1280512A7	BARREL, 20, 3, DEFENDER, MARINE, 18"
1	U1280587BA	BARREL, 20, 3, DEFENDER, OD GREEN, 18"
1	U1280548WF	BARREL, 20, 3, EXTREME DEER/BLACK SHADOW DEER, RIFLED, 22"
1	U1280399RT	BARREL, 20, 3, FDE, 26"
1	U1280400RT	BARREL, 20, 3, FDE, 28"
1	U128015178	BARREL, 20, 3, FDE, TURKEY, 24"
1	U1280101WF	BARREL, 20, 3, GLOSS, 26"
1	U1280102WF	BARREL, 20, 3, GLOSS, 28"
1	U128600110	BARREL, 20, 3, HYBRID, GRAY PC, 26"
1	U128600111	BARREL, 20, 3, HYBRID, GRAY PC, 28"
1	U1280708R3	BARREL, 20, 3, KRYP HIGHLANDER, 28"
1	U1280741WF	BARREL, 20, 3, MATTE, 18"
1	U1280742WF	BARREL, 20, 3, MATTE, 20"
1	U1280743WF	BARREL, 20, 3, MATTE, 22"
1	U1280459WF	BARREL, 20, 3, MATTE, 24"
1	U1280399WF	BARREL, 20, 3, MATTE, 26"
1	U1280400WF	BARREL, 20, 3, MATTE, 28"
1	U1280576WX	BARREL, 20, 3, MOBL, 28"
1	U1280572WX	BARREL, 20, 3, MOBL, TURKEY, 24"
1	U12805383K	BARREL, 20, 3, MOBUC, 24"
1	U12805373K	BARREL, 20, 3, MOBUC, 26"
1	U12805363K	BARREL, 20, 3, MOBUC, 28"
1	U12804903K	BARREL, 20, 3, MOBUC, TURKEY, 24"
1	U1280490BH	BARREL, 20, 3, MODNA, 24"
1	U1280399BH	BARREL, 20, 3, MODNA, 26"
1	U1280400BH	BARREL, 20, 3, MODNA, 28"
1	U1280490F1	BARREL, 20, 3, MOOB, 24"
1	U1280483XW	BARREL, 20, 3, MOSGB, 26"
1	U1280484XW	BARREL, 20, 3, MOSGB, 28"
1	U1280399BD	BARREL, 20, 3, MOSGH, 26"
1	U1280400BD	BARREL, 20, 3, MOSGH, 28"
1	U128600136	BARREL, 20, 3, RT LEGACY, 26"
1	U128600137	BARREL, 20, 3, RT LEGACY, 28"
1	U1280482X3	BARREL, 20, 3, RT MAX-5, 28"
1	U1280399WL	BARREL, 20, 3, RT MAX-7, 26"
1	U1280400WL	BARREL, 20, 3, RT MAX-7, 28"
1	U128039979	BARREL, 20, 3, RT TIMBER, 26"
1	U128040079	BARREL, 20, 3, RT TIMBER, 28"
1	U1280864WF	BARREL, 20, 3, TRAP, 28"
1	U1280866WF	BARREL, 20, 3, TRAP, 30"
1	U12803998V	BARREL, 20, 3, TT PRAIRIE, 26"
1	U12804008V	BARREL, 20, 3, TT PRAIRIE, 28"
1	U1280694R8	BARREL, 20, 3, TT VSX, 26"
1	U1280697R8	BARREL, 20, 3, TT VSX, 28"
1	U1280399BF	BARREL, 20, 3, WOODLAND, 26"
1	U1280400BF	BARREL, 20, 3, WOODLAND, 28"
2	U1280422AJ	BREECH BOLT
3	U1280421WF	BREECH BOLT SLIDE
5	U1280452AJ	CAM PIN
9	U1280758AJ	CARRIER DOG PLUNGER
10	U1280759AE	CARRIER DOG SPRING
11	*** U1280428AJ	DISCONNECTOR ASSEMBLY
12	*** U1280431AE	DISCONNECTOR SPRING

Ref. #	Part #	Description
13	U1280453AJ	EJECTOR
14	U1280012AJ	EJECTOR RETAINER
15	U1280013AJ	EJECTOR RETAINER SCREW
16	U1280014AE	EJECTOR SPRING
17	U1280423AJ	EXTRACTOR
18	U1280424AE	EXTRACTOR SPRING
19	U1280425E2	FIRING PIN
20	U1280426AJ	FIRING PIN COLLAR
21	U1280032AE	FIRING PIN SPRING
22	U1280447FN	FOREARM WASHER
23	U1280446AA	FOREARM, 20, BLACK SHADOW, BLACK
23	U1280470AA	FOREARM, 20, DEFENDER, BLACK
23	U1280615RT	FOREARM, 20, DEFENDER, DARK EARTH
23	U128600117	FOREARM, 20, DEFENDER, FC GRAY
23	U1280687R4	FOREARM, 20, DEFENDER, KRYP TYPHON
23	U1280470BA	FOREARM, 20, DEFENDER, OD GREEN
23	U128047076	FOREARM, 20, DEFENDER, TTSTRAT
23	U1280470BF	FOREARM, 20, DEFENDER, WOODLAND
23	U1280445EK	FOREARM, 20, FIELD, WALNUT, SATIN, GRD1
23	U1280651EK	FOREARM, 20, FIELD, WALNUT, SATIN, GRD2
23	U1280712R3	FOREARM, 20, KRYP HIGHLANDER
23	U1280580WX	FOREARM, 20, MOBL
23	U12804943K	FOREARM, 20, MOBUC
23	U1280446BH	FOREARM, 20, MODNA
23	U1280479W7	FOREARM, 20, MOINF
23	U1280480XW	FOREARM, 20, MOSGB
23	U1280446BD	FOREARM, 20, MOSGH
23	U128600138	FOREARM, 20, RT LEGACY
23	U1280489X3	FOREARM, 20, RT MAX-5
23	U1280446WL	FOREARM, 20, RT MAX-7
23	U128044679	FOREARM, 20, RT TIMBER
23	U1280865EK	FOREARM, 20, TRAP
23	U128015172	FOREARM, 20, TT MIDNIGHT
23	U1280690R8	FOREARM, 20, TT VSX
23	U12804468V	FOREARM, 20, TT PRAIRIE
23	U1280446BF	FOREARM, 20, WOODLAND
24	*** U1280761AJ	HAMMER
25	*** U1280050AJ	SEAR TUBE
26	*** U1280465AJ	HAMMER HOUSING ASSEMBLY
27	*** U1280039AJ	HAMMER PIN
28	* U1280041AE	HAMMER SPRING
29	* U1280040AE	HAMMER SPRING SUPPORT
30	U1280458AA	MAGAZINE 3-SHOT ADAPTER, 20, 3", 4+1
31	U1280462AT	MAGAZINE CAP, 20, BLACK
31	U1280417AT	MAGAZINE CAP, 20, BLACK, W/ SLING EYELET
31	U1280454A7	MAGAZINE CAP, 20, CHROME, W/ SLING EYELET
31	U128600121	MAGAZINE CAP, 20, FC GRAY , W/EYELET
31	U1280686R4	MAGAZINE CAP, 20, KRYP HIGHLANDER, W/ SLING EYELET
31	U1280711R3	MAGAZINE CAP, 20, KRYP HIGHLANDER, W/ SLING EYELET
31	U1280579WX	MAGAZINE CAP, 20, MOBL, W/ SLING EYELET
31	U12804923K	MAGAZINE CAP, 20, MOBUC, W/ SLING EYELET
31	U1280417BH	MAGAZINE CAP, 20, MODNA, W/SLING EYELET
31	U1280477W7	MAGAZINE CAP, 20, MOINF, W/ SLING EYELET
31	U1280417F1	MAGAZINE CAP, 20, MOOB, W/SLING EYELET
31	U1280478XW	MAGAZINE CAP, 20, MOSGB, W/ SLING EYELET
31	U1280417BD	MAGAZINE CAP, 20, MOSGH, W/SLING EYELET

\*Indicates part must be fitted by Winchester Repeating arms Service Department or qualified gunsmith.  
 \*\*Factory installation only - Return firearm for installation.  
 +Part may be purchased only by holders of current, valid Federal Firearms License.  
 NOTE: unless otherwise indicated, part is interchangeable between gauges/calibers.

# Pump-Action Shotgun 20 Gauge



IMPORTANT: When ordering, list part number, part name, gun gauge/caliber and serial number. Please specify grade. Prices F.O.B. point of shipment – subject to change without notice. Prices effective January 1, 2024.

Ref. #	Part #	Description
31	U1280417BA	MAGAZINE CAP, 20, OD GREEN, W/SLING EYELET
31	U128600139	MAGAZINE CAP, 20, RT LEGACY, W/ SLING EYELET
31	U1280486X3	MAGAZINE CAP, 20, RT MAX-5, W/ SLING EYELET
31	U1280417WL	MAGAZINE CAP, 20, RT MAX-7, W/SLING EYELET
31	U128041779	MAGAZINE CAP, 20, RT TIMBER, W/SLING EYELET
31	U12804178V	MAGAZINE CAP, 20, TT PRAIRIE, W/SLING EYELET
31	U128041776	MAGAZINE CAP, 20, TT STRATA, W/SLING EYELET
31	U1280417BF	MAGAZINE CAP, 20, WOODLAND, W/SLING EYELET
32	U1280457W1	MAGAZINE TUBE, BLACK, 5+1
32	U1280457A7	MAGAZINE TUBE, CHROME, 4+1
33	U1280413AA	MAGAZINE FOLLOWER
34	U1280414AE	MAGAZINE SPRING
35	U1280416AA	MAGAZINE SPRING RETAINER
36	* U1280411AA	MAGAZINE THROAT
38	BST80273AA	RECOIL PAD, COMPOSITE STOCKS
38	BST80274AA	RECOIL PAD, WOOD STOCKS
39	BST80270EX	RECOIL PAD SCREW, COMPOSITE STOCKS
39	BST80269EX	RECOIL PAD SCREW, WOOD STOCKS
40	* U1280439AK	CARRIER ASSEMBLY, BLACK
41	*** U1280774AJ	SEAR HOUSING ASSEMBLY
44	BST80355AA	SIGHT, FRONT, TRAP, TRU GLO (GREEN)
44	BST80251AJ	SIGHT, FRONT, BUCK/ DEER
44	U1280006AA	SIGHT, FRONT, DEFENDER, SILVER BEAD (3.5XM3)
44	BST80210AA	SIGHT, FRONT, DEFENDER, TRUGLO, HOME DEFENSE FIBER OPTIC
44	BST7663101	SIGHT, FRONT, EXTRE/DEER, RED, FIBER
44	U1280188AA	SIGHT, FRONT, FIELD (3.9XM3)
44	BST17273AA	SIGHT, FRONT, TURKEY, TRUGLO, RED
44	BST17353AA	SIGHT, FRONT, WATERFOWL, TRUGLO, RED
45	U1280886AJ	SLIDE ARM, BLACK
45	U1280886A7	SLIDE ARM, CHROME
46	U1280448AJ	SLIDE ARM EXTENSION, BLACK
46	U1280448A7	SLIDE ARM EXTENSION, CHROME
47	U1280450AK	SLIDE ARM EXTENSION CAP, BLACK
47	U1280450A7	SLIDE ARM EXTENSION CAP, CHROME
48	U1280451AA	SLIDE ARM EXTENSION CAP RING
49	U1280435AJ	SLIDE SUPPORT ASSEMBLY, (LEFT)
50	U1280432AJ	SLIDE SUPPORT ASSEMBLY, (RIGHT)
51	U1280063AJ	SLIDE SUPPORT SCREW
52	U1280602EK	STOCK, 12-20, BEECH, GRD1, SATIN
52	U1280151AE	STOCK, 12-20, BLACK
52	U1280614RT	STOCK, 12-20, DARK EARTH
52	U1280564AE	STOCK, 12-20, EXTREME /SHADOW, BLACK
52	U128600113	STOCK, 12-20, FC GRAY, EXTREM
52	U1280618RT	STOCK, 12-20, FDE, EXTREM
52	U1280737EK	STOCK, 12-20, FIELD, MICRO, WALNUT
52	U1280271EK	STOCK, 12-20, FIELD, WALNUT, SATIN
52	U1280272EK	STOCK, 12-20, FIELD, WALNUT, SATIN, COMPACT
52	U1280601EK	STOCK, 12-20, FIELD, WALNUT, SATIN, GRD2
52	U128600116	STOCK, 12-20, FORGED CARBON GRAY
52	U1280702R3	STOCK, 12-20, KRYP HIGHLANDER
52	U1280679R4	STOCK, 12-20, KRYP TYPHON
52	U1280674R4	STOCK, 12-20, KRYP TYPHON, EXTREME /SHADOW
52	U1280570WX	STOCK, 12-20, MOBL
52	U1280575WX	STOCK, 12-20, MOBL, EXTREME /LB
52	U12804933K	STOCK, 12-20, MOBUC
52	U12805593K	STOCK, 12-20, MOBUC, EXTREME /LONG BEARD
52	U1280161F9	STOCK, 12-20, MODB

Ref. #	Part #	Description
52	U1280151BH	STOCK, 12-20, MODNA
52	U1280152BH	STOCK, 12-20, MODNA, EXTREME /LONG BEARD
52	U1280645F1	STOCK, 12-20, MOOB
52	U128600124	STOCK, 12-20, MOOB, EXTREME /LONG BEARD
52	U1280224XW	STOCK, 12-20, MOSGB
52	U1280151BD	STOCK, 12-20, MOSGH
52	U1280151BA	STOCK, 12-20, OD GREEN
52	U128600130	STOCK, 12-20, RT LEGACY
52	U1280230XP	STOCK, 12-20, RT MAX-4
52	U1280340X3	STOCK, 12-20, RT MAX-5
52	U1280151WL	STOCK, 12-20, RT MAX-7
52	U128085379	STOCK, 12-20, RT TIMBER
52	U1280331X5	STOCK, 12-20, RT XTRA
52	U1280366EK	STOCK, 12-20, TRAP, WOOD, SATIN
52	U1280367EK	STOCK, 12-20, TRAP, WOOD, SATIN, COMPACT
52	U1280668R5	STOCK, 12-20, TT DRT
52	U128015170	STOCK, 12-20, TT MIDNIGHT
52	U1280691R8	STOCK, 12-20, TT VSX
52	U1280694R7	STOCK, 12-20, TT WESTERN VIPER
52	U12801518V	STOCK, 12-20, TT PAIRE
52	U128015176	STOCK, 12-20, TT STRATA
52	U128056476	STOCK, 12-20, TT STRATA, EXTREME
52	U1280151BF	STOCK, 12-20, WOODLAND
52	U128600115	STOCK, 12-20, WOODLAND, EXTREME
53	U1280077AX	STOCK BOLT, COMPOSITE STOCKS
53	U1280256AX	STOCK BOLT, WOOD STOCKS
54	U1280079EX	STOCK BOLT WASHER (LOCK WASHER)
55	U1280078AX	STOCK BOLT WASHER (FLAT WASHER)
56	U1117884AA	STOCK DECAL, "W" FOR PISTOL GR
57	* U1280752AA	TRIGGER GUARD
57	* U1280543FV	TRIGGER GUARD, EXTREME /LONG BEARD /SHADOW DEF.
58	* U1280773FV	TRIGGER GUARD ASSEMBLY, 3", EXTREME /LONG BEARD
58	* U1280773AA	TRIGGER GUARD ASSEMBLY, 3", STANDARD
59	* U1280064AJ	TRIGGER GUARD RETAINING PIN
60	*** U1280757AK	SAFETY
61	* U1280053AJ	TRIGGER PIN
63	* U1280755AK	TRIGGER
	U1280594AP	PICATINNY MOUNT, SIDE MOUNT ASSEMBLY FOR MAGAZINE TUBE, 20
	U1280122AJ	SCOPE BASE / MOUNT FILLER SCREW
	U1280279AP	SIGHT, REAR ASSEMBLY (FOR RECEIVER PICATINNY MOUNT)
	* BST3333001	SIGHT, MID-BEAD, WHITE (D2,4X3.2)
	BST80250AJ	SIGHT, REAR, BUCK/DEER
	U1280280AJ	SIGHT, REAR, GHOST RING ONLY (FOR RECEIVER PICATINNY MOUNT)
	BST17274AA	SIGHT, REAR, TURKEY, TRUGLO, GREEN
	U1280076EX	STOCK CHEEK PIECE SCREW, EXTREME/LONG BEARD /SHADOW DEF.
	U1280542AA	STOCK CHEEK PIECE WASHER, EXTREME /LONG BEARD /SHADOW DEF.
	U1280541AA	STOCK CHEEK PIECE, HIGH, EXTREME /LONG BEARD /SHADOW DEF.
	U1280540AA	STOCK CHEEK PIECE, LOW, EXTREME /LONG BEARD /SHADOW DEF.
	U1280715AA	STOCK LOP 1/4" SPACER
	U1280145HA	STOCK RECOIL PAD PLATE (FOR COMPOSITE STOCKS ONLY)

\*Indicates part must be fitted by Winchester Repeating arms Service Department or qualified gunsmith.

\*\*Factory installation only - Return firearm for installation.

+Part may be purchased only by holders of current, valid Federal Firearms License.

NOTE: unless otherwise indicated, part is interchangeable between gauges/calibers.

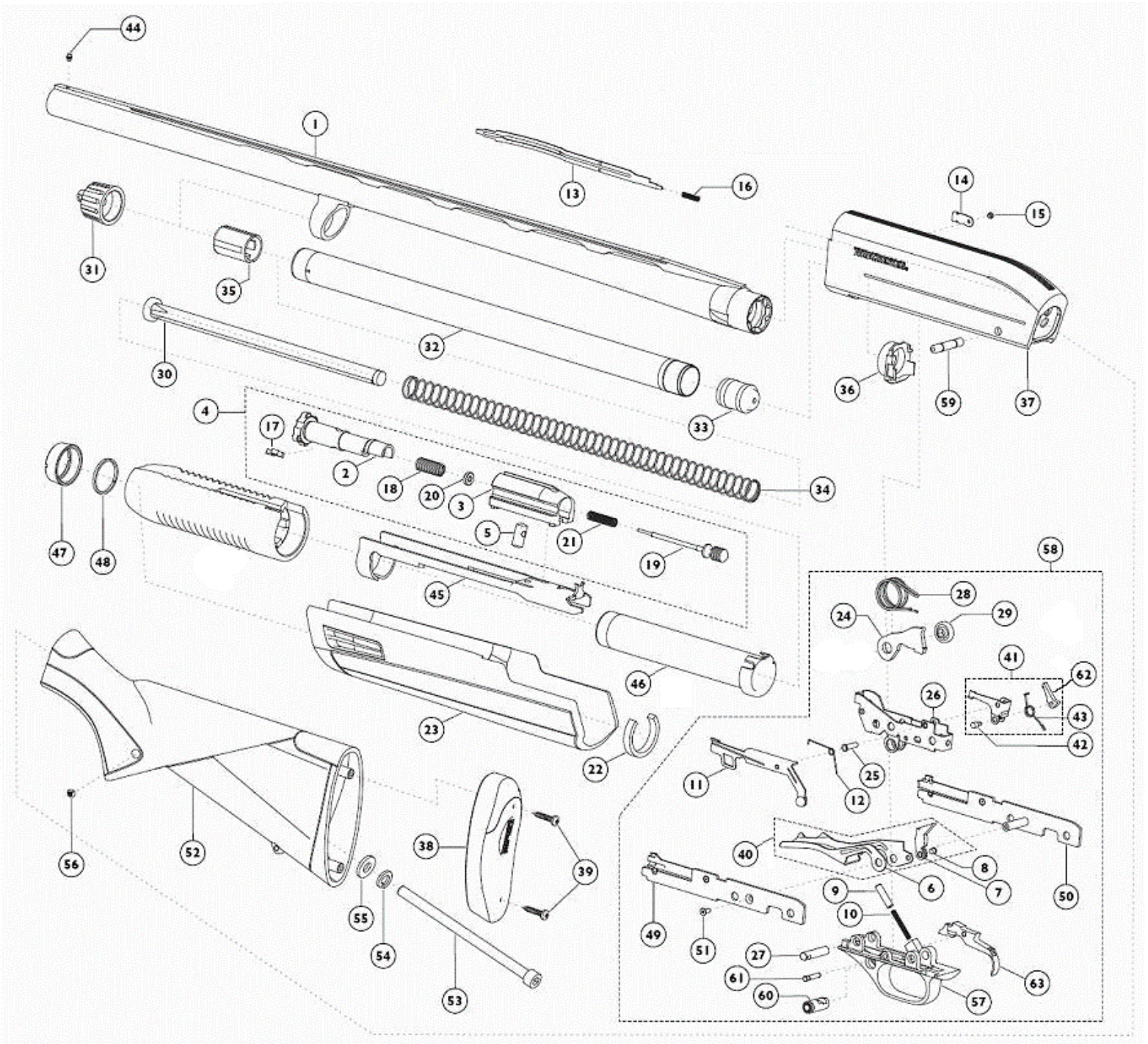
## Winchester Gun Parts Price List

# Pump-Action Shotgun 20 Gauge



# SXP

NOTE: WHEN ORDERING PARTS, USE THE PART NUMBER AND NOT THE SCHEMATIC REFERENCE NUMBER.



Schematic is provided for parts identification only and should not be used as a guide to assemble guns.  
CAUTION: Winchester parts are not recommended for use in other guns though models may be similar.  
Inadequately fitted parts may be dangerous.

## Winchester Gun Parts Price List