

# Bolt-Action Rifle



IMPORTANT: When ordering, list part number, part name, gun gauge/caliber and serial number. Please specify grade. Prices F.O.B. point of shipment – subject to change without notice. Prices effective January 1, 2024.

Ref. #	Part #	Description
2	***	U35014699Y BOLT ASSEMBLY, L/A MAG, CRF, FDE, JEWEL
2	***	U3501992FP BOLT ASSEMBLY, L/A MAG, CRF, GLOSS, JEWEL
2	***	U35019208P BOLT ASSEMBLY, L/A MAG, CRF, HIGH GLOSS, JEWEL
2	***	U3501804AM BOLT ASSEMBLY, L/A MAG, CRF, MATTE, JEWEL
2	***	U35018979W BOLT ASSEMBLY, L/A MAG, CRF, STAINLESS, JEWEL
2	***	U35014688M BOLT ASSEMBLY, L/A MAG, CRF, TUNGSTEN, JEWEL
2	***	U35014679Y BOLT ASSEMBLY, L/A, CRF, FDE, JEWEL
2	***	U3501998FP BOLT ASSEMBLY, L/A, CRF, GLOSS, JEWEL
2	***	U3501037FP BOLT ASSEMBLY, L/A, CRF, HIGH GLOSS, JEWEL
2	***	U35018969W BOLT ASSEMBLY, L/A, CRF, STAINLESS, JEWEL
2	***	U35014668M BOLT ASSEMBLY, L/A, CRF, TUNGSTEN, JEWEL
2	***	U35018959W BOLT ASSEMBLY, S/A, CRF, STAINLESS, JEWEL
2	***	U35014659Y BOLT ASSEMBLY, S/A, CRF, FDE, JEWEL
2	***	U3502062CD BOLT ASSEMBLY, S/A, CRF, GLOSS BLACK OXIDE, JEWEL
2	***	U3501933CF BOLT ASSEMBLY, S/A, CRF, HIGH GLOSS, JEWEL
2	***	U3501733CC BOLT ASSEMBLY, S/A, CRF, MATTE, JEWEL
2	***	U35014418M BOLT ASSEMBLY, S/A, CRF, TUNGSTEN, JEWEL
2	***	U35017799Y BOLT ASSEMBLY, WSM, CRF, FDE, JEWEL
2	***	U3501742CD BOLT ASSEMBLY, WSM, CRF, GLOSS, JEWEL
2	***	U3501786FP BOLT ASSEMBLY, WSM, CRF, HIGH GLOSS, JEWEL
2	***	U35017699W BOLT ASSEMBLY, WSM, CRF, STAINLESS, JEWEL
2	***	U35014708M BOLT ASSEMBLY, WSM, CRF, TUNGSTEN, JEWEL
2	***	U3501787CC BOLT ASSEMBLY, WSM/6.5PRC, CRF, MATTE, JEWEL
4	*	U35W000006 BOLT SLEEVE LOCK
5	*	U35W000007 BOLT SLEEVE LOCK PIN
6	*	U35W000008 BOLT SLEEVE LOCK SPRING
7		U35W000009 BOLT STOP SPRING
8		U35W000010 BOLT STOP, MATTE
8		U35W000152 BOLT STOP, CRPF (.458 WIN ONLY)
8		U35W000144 BOLT STOP, STAINLESS
9		U35W000011 EJECTOR, L/A MAG, MATTE
9		U35W000147 EJECTOR, L/A MAG, STAINLESS
9		U3501407AJ EJECTOR, SSA, MATTE
9		U35W000012 EJECTOR, STD CAL., MATTE
9		U35W000145 EJECTOR, STD CAL., STAINLESS
9		U35W000013 EJECTOR, WSM, MATTE
9		U35W000146 EJECTOR, WSM, STAINLESS
10		U35W000014 EJECTOR PIN
11		U35W000016 EJECTOR SPRING
12		U35W000017 EXTRACTOR, CRF MAG, STAINLESS
12		U35W000015 EXTRACTOR, CRF STD, STAINLESS
13		U35W000018 EXTRACTOR RETAINING RING, STAINLESS
14		U35W000005 BOLT SLEEVE, GLOSS
14		U35016728P BOLT SLEEVE, HIGH GLOSS (USE U3501672CG WHEN OBSOLETE)
14		U35W000151 BOLT SLEEVE, MATTE
14		U35W000107 BOLT SLEEVE, STAINLESS
14		U35014648M BOLT SLEEVE, TUNGSTEN
15		U35012113J FIRING PIN SPRING
16		U35014943J FIRING PIN SPRING RETAINER
17		U35W000023 SLING EYELET, SCREW EYE ESCUTCHEON (FRONT)
18		U3501661AK SLING EYELET, GLOSS, FRONT
18		U35W000024 SLING EYELET, MATTE, FRONT
18		U3501687A9 SLING EYELET, STAINLESS, FRONT (FRONT/REAR FOR EXTREME WEATHER)
18		U35014548M SLING EYELET, TUNGSTEN, FRONT (FRONT/REAR FOR EXTREME WEATHER)

Ref. #	Part #	Description
19		U35W000025 GAS BLOCK, GLOSS
19		U35W000111 GAS BLOCK, STAINLESS
20		U3502095AJ MAGAZINE BOX, L/A, 375 H&H, BLACK
20		U3502196AJ MAGAZINE BOX, L/A, 416 REM, BLACK
20		U3502195AJ MAGAZINE BOX, L/A, 458 WM, BLACK
20		U35W000034 MAGAZINE BOX, L/A, BLACK
20		U35W000120 MAGAZINE BOX, L/A, STAINLESS
20		U35W000035 MAGAZINE BOX, S/A, BLACK
20		U35W000121 MAGAZINE BOX, S/A, STAINLESS
20		U3501349FV MAGAZINE BOX, S/A, STAINLESS (6.5/6CM ONLY)
20		U35W000036 MAGAZINE BOX, WSM BLACK
20		U35W000122 MAGAZINE BOX, WSM STAINLESS
21		U35W000028 MAGAZINE FLOOR PLATE LATCH, BLUED
21		U35012328N MAGAZINE FLOOR PLATE LATCH, FDE
21		U35W000116 MAGAZINE FLOOR PLATE LATCH, STAINLESS
21		U35012328M MAGAZINE FLOOR PLATE LATCH, TUNGSTEN
22		U35W000029 MAGAZINE FLOOR PLATE LATCH PIN
23		U35W000030 MAGAZINE FLOOR PLATE LATCH SPRING
24		U35012458N MAGAZINE FLOOR PLATE, L/A, RAISED HINGE, FDE
24		U35W000026 MAGAZINE FLOOR PLATE, L/A, RAISED HINGE, GLOSS
24		U35W000112 MAGAZINE FLOOR PLATE, L/A, RAISED HINGE, STAINLESS
24		U35014333J MAGAZINE FLOOR PLATE, L/A, RAISED HINGE, STAINLESS (SG)
24		U35012458M MAGAZINE FLOOR PLATE, L/A, RAISED HINGE, TUNGSTEN
24		U35W000113 MAGAZINE FLOOR PLATE, L/A, RECESSED HINGE, HIGH GLOSS (SG)
24		U35W000159 MAGAZINE FLOOR PLATE, L/A, RECESSED HINGE, MATTE
24		U35012258N MAGAZINE FLOOR PLATE, S/A, RAISED HINGE, FDE
24		U35W000027 MAGAZINE FLOOR PLATE, S/A, RAISED HINGE, GLOSS
24		U35W000160 MAGAZINE FLOOR PLATE, S/A, RAISED HINGE, MATTE
24		U35W000114 MAGAZINE FLOOR PLATE, S/A, RAISED HINGE, STAINLESS
24		U35012258M MAGAZINE FLOOR PLATE, S/A, RAISED HINGE, TUNGSTEN
24		U35W000115 MAGAZINE FLOOR PLATE, S/A, RECESSED HINGE, HIGH GLOSS (SG)
25		U35W000031 MAGAZINE FLOOR PLATE HINGE PIN, BLUED
25		U35W000117 MAGAZINE FLOOR PLATE HINGE PIN, STAINLESS
26		U35W000032 MAGAZINE FOLLOWER, L/A, ALUMINUM
26		U35W000032 MAGAZINE FOLLOWER, L/A, ALUMINUM
26		U3502096FN MAGAZINE FOLLOWER, L/A, SAFARI, 375-416, ALUMINUM
26		U3502124AE MAGAZINE FOLLOWER, L/A, SAFARI, 458WM, ALUMINUM
26		U3501398AE MAGAZINE FOLLOWER, L/A, STAINLESS
26		U35W000163 MAGAZINE FOLLOWER, S/A, 22-250, ALUMINUM
26		U3501340FN MAGAZINE FOLLOWER, S/A, ALUMINIUM
26		U35013413J MAGAZINE FOLLOWER, S/A, STAINLESS
27		U35W000037 MAGAZINE SPRING, L/A MAG, BLACK
27		U35W000123 MAGAZINE SPRING, L/A MAG, STAINLESS
27		U35W000038 MAGAZINE SPRING, L/A, BLACK
27		U35W000124 MAGAZINE SPRING, L/A, STAINLESS
27		U3501790AE MAGAZINE SPRING, S/A, 22-250, STAINLESS
27		U35W000039 MAGAZINE SPRING, S/A, BLACK
27		U3501683XH MAGAZINE SPRING, S/A, STAINLESS
28		U35W000019 FIRING PIN ASSEMBLY, L/A, CRF, GLOSS

\*Indicates part must be fitted by Winchester Repeating arms Service Department or qualified gunsmith.  
 \*\*Factory installation only - Return firearm for installation.  
 +Part may be purchased only by holders of current, valid Federal Firearms License.  
 NOTE: unless otherwise indicated, part is interchangeable between gauges/calibers.

# Bolt-Action Rifle



IMPORTANT: When ordering, list part number, part name, gun gauge/caliber and serial number. Please specify grade. Prices F.O.B. point of shipment – subject to change without notice. Prices effective January 1, 2024.

Ref. #	Part #	Description
28	U35W000153	FIRING PIN ASSEMBLY, L/A, CRF, MATTE
28	U35W000108	FIRING PIN ASSEMBLY, L/A, CRF, STAINLESS
28	U35W000020	FIRING PIN ASSEMBLY, S/A, CRF, GLOSS
28	U3501731CA	FIRING PIN ASSEMBLY, S/A, CRF, MATTE
28	U35W000109	FIRING PIN ASSEMBLY, S/A, CRF, STAINLESS
29	U3501240AK	GRIP CAP, GLOSS
29	U35W000127	GRIP CAP, RMEF (MEDALLION ONLY)
30	U35W000042	GRIP CAP SCREW
31	U3501676F4	RECOIL PAD, BLACK (WITH SCREWS)
31	U3575370FV	RECOIL PAD, PACHMAYR DECELERATOR
31	U3502183F4	RECOIL PAD, SAFARI, BLACK (WITH SCREWS)
32	U35W000044	RECOIL PAD SCREW
33	* U35W000045	SAFETY LEVER, GLOSS
33	* U3501459CA	SAFETY LEVER, MATTE
33	* U35W000128	SAFETY LEVER, STAINLESS
33	* U35014598M	SAFETY LEVER, TUNGSTEN
34	* U35W000047	SAFETY PLUNGER SPRING
35	* U3501214AE	SAFETY PLUNGER
36	* U35W000048	SAFETY RETAINING PIN
37	*** U35W000049	SEAR
38	*** U35W000050	SEAR ACTUATOR
39	*** U35W000051	SEAR ACTUATOR SPRING
40	*** U35W000052	SEAR BUSHING
41	*** U35W000053	SEAR PIN
42	*** U35W000054	SEAR SPRING
43	BST01739AJ	SCOPE BASE FILLER SCREW, BLUED
43	BST017403J	SCOPE BASE FILLER SCREW, STAINLESS
44	U3501073EH	STOCK, 150TH COMMEMORATIVE, L/A (2016)
44	U3502185EK	STOCK, ALASKAN, L/A
44	U3502187EK	STOCK, ALASKAN, L/A (375 H&H)
44	U3501876EK	STOCK, COMPACT FEATHERWEIGHT, S/A
44	U3501729AE	STOCK, COYOTE LIGHT, S/A
44	U35W000177	STOCK, COYOTE OUTBACK, S/A
44	U3501456AE	STOCK, EXTREME HUNTER, L/A, BLACK/GRAY (FDE STUDS)
44	U350145376	STOCK, EXTREME HUNTER, L/A, TT STRATA (FDE STUDS)
44	U3501455AE	STOCK, EXTREME HUNTER, S/A, BLACK/GRAY (FDE STUDS)
44	U350145276	STOCK, EXTREME HUNTER, S/A, TT STRATA (FDE STUDS)
44	U35W000081	STOCK, EXTREME WEATHER, L/A, BLACK
44	U3502083RY	STOCK, EXTREME WEATHER, L/A, TT VSX
44	U35W000084	STOCK, EXTREME WEATHER, S/A, BLACK
44	U3502081RY	STOCK, EXTREME WEATHER, S/A, TT VSX
44	U3501932AE	STOCK, EXTREME, L/A, BLACK/GRAY
44	U3501761AE	STOCK, EXTREME, S/A, BLACK/GRAY
44	U3502064EK	STOCK, FEATHERWEIGHT, L/A
44	U3502037EK	STOCK, FEATHERWEIGHT, L/A MAG.
44	U3501873EK	STOCK, FEATHERWEIGHT, S/A
44	U3501739EK	STOCK, FEATHERWEIGHT, WSM
44	U3501834AE	STOCK, LONG RANGE, B&C, S/A, TAN/BLACK
44	U356126501	STOCK, SAFARI EXPRESS, L/A
44	U3502184EK	STOCK, SAFARI EXPRESS, L/A (UNFINED/UNCHECKERED)
44	U3502070EK	STOCK, SPORTER, L/A
44	U3501050EK	STOCK, SPORTER, S/A
44	U35W000085	STOCK, SPORTER, S/A (NO PAD OR SLING SWIVELS)
44	U3501080EK	STOCK, SPORTER, S/A, MAPLE, GRADE AA
44	U3502060EK	STOCK, SUPER GRADE, L/A

Ref. #	Part #	Description
44	U3501434EK	STOCK, SUPER GRADE, L/A, FRENCH WALNUT, GRADE AAA
44	U3501390EK	STOCK, SUPER GRADE, L/A, GRADE IV/V (STAINLESS STUDS)
44	U3501057EJ	STOCK, SUPER GRADE, L/A, MAPLE, GRADE AAAA
44	U3501425EK	STOCK, SUPER GRADE, S/A, FRENCH WALNUT, GRADE AAA
44	U356123801	STOCK, SUPER GRADE, S/A, GRADE IV/V (BLUED STUDS)
44	U3501075EJ	STOCK, SUPER GRADE, S/A, MAPLE, GRADE AAAA
44	U35W000175	STOCK, ULTIMATE SHADOW, L/A
45	U3501660AK	SLING EYELET BASE SCREW, REAR
45	U35W000132	SLING EYELET BASE, SUPER GRADE & SAFARI (FRONT & REAR)
45	U35W000056	SLING SWIVEL STUD, REAR, MATTE
45	U35W000135	SLING SWIVEL STUD, REAR, STAINLESS
46	U35W000057	TRIGGER, MATTE
46	U35W000136	TRIGGER, STAINLESS
47	U35W000058	TRIGGER ADJUSTMENT SET SCREW
48	U35014498N	TRIGGER GUARD, L/A, 1-PC RAISED HINGE, FDE
48	U35W000059	TRIGGER GUARD, L/A, 1-PC RAISED HINGE, GLOSS
48	U35014368H	TRIGGER GUARD, L/A, 1-PC RAISED HINGE, MATTE
48	U35014368K	TRIGGER GUARD, L/A, 1-PC RAISED HINGE, STAINLESS
48	U35014368M	TRIGGER GUARD, L/A, 1-PC RAISED HINGE, TUNGSTEN
48	U35W000140	TRIGGER GUARD, L/A, 1-PC RECESSED HINGE, HIGH GLOSS
48	U35W000179	TRIGGER GUARD, L/A, 1-PC RECESSED HINGE, MATTE
48	U35014478N	TRIGGER GUARD, S/A, 1-PC RAISED HINGE, FDE
48	U35W000060	TRIGGER GUARD, S/A, 1-PC RAISED HINGE, GLOSS
48	U35014358J	TRIGGER GUARD, S/A, 1-PC RAISED HINGE, MATTE BLACK
48	U35014358H	TRIGGER GUARD, S/A, 1-PC RAISED HINGE, PAINTED MATTE
48	U35014358K	TRIGGER GUARD, S/A, 1-PC RAISED HINGE, STAINLESS
48	U35014358M	TRIGGER GUARD, S/A, 1-PC RAISED HINGE, TUNGSTEN
48	U35012248P	TRIGGER GUARD, S/A, 1-PC RECESSED HINGE, HIGH GLOSS
49	U35012348N	TRIGGER GUARD SCREW, FDE (FRONT)
49	U35W000062	TRIGGER GUARD SCREW, GLOSS (FRONT)
49	U35W000142	TRIGGER GUARD SCREW, STAINLESS (FRONT)
49	U35012348M	TRIGGER GUARD SCREW, TUNGSTEN (FRONT)
50	U35012388N	TRIGGER GUARD SCREW, FDE (REAR)
50	U35W000063	TRIGGER GUARD SCREW, GLOSS (REAR)
50	U35W000143	TRIGGER GUARD SCREW, STAINLESS (REAR)
50	U35012388M	TRIGGER GUARD SCREW, TUNGSTEN (REAR)
51	*** U35W000064	TRIGGER HOUSING
52	U35W000065	TRIGGER OVERTRAVEL SET SCREW
53	U35016753J	TRIGGER PIN
54	U35W000067	TRIGGER TAKE-UP SPRING
55	U3502191AE	REAR SIGHT, SAFARI
55	U3502194AE	REAR SIGHT, SPORTER (CABELAS MODEL)
56	U3502190AE	FRONT SIGHT HOOD
56	U35W000171	FRONT SIGHT RAMP
56	U3502193AE	FRONT SIGHT, 250N
56	U3502192AE	FRONT SIGHT, 312N
57	U35W000040	TRIGGER HOUSING MOUNTING PIN (ROLL PIN)
57	U35016753J	TRIGGER HOUSING MOUNTING PIN (SOLID PIN)
2A	*** U3501139CD	BOLT BODY, L/A, CRF, GLOSS

\*Indicates part must be fitted by Winchester Repeating arms Service Department or qualified gunsmith.  
 \*\*Factory installation only - Return firearm for installation.  
 +Part may be purchased only by holders of current, valid Federal Firearms License.  
 NOTE: unless otherwise indicated, part is interchangeable between gauges/calibers.

# Bolt-Action Rifle



IMPORTANT: When ordering, list part number, part name, gun gauge/caliber and serial number. Please specify grade. Prices F.O.B. point of shipment – subject to change without notice. Prices effective January 1, 2024.

Ref. #		Part #	Description
2A	***	U35W000002	BOLT BODY, L/A, CRF, GLOSS, JEWELD
2A	***	U3501139CF	BOLT BODY, L/A, CRF, HIGH GLOSS, JEWELD
2A	***	U3501440CC	BOLT BODY, L/A, CRF, MATTE, JEWELD
2A	***	U35W000104	BOLT BODY, L/A, CRF, STAINLESS, JEWELD
2A	***	U3501439FP	BOLT BODY, L/A, CRF, TUNGSTEN, JEWELD
2A	***	U35W000001	BOLT BODY, L/A, MAG, CRF, GLOSS, JEWELD
2A	***	U3501440CD	BOLT BODY, L/A, MAG, CRF, HIGH GLOSS
2A	***	U3501440CF	BOLT BODY, L/A, MAG, CRF, HIGH GLOSS, JEWELD
2A	***	U35W000148	BOLT BODY, L/A, MAG, CRF, MATTE, JEWELD
2A	***	U35W000103	BOLT BODY, L/A, MAG, CRF, STAINLESS, JEWELD
2A	***	U3501437CD	BOLT BODY, S/A, CRF, GLOSS
2A	***	U3501437CF	BOLT BODY, S/A, CRF, HIGH GLOSS, JEWELD
2A	***	U35W000149	BOLT BODY, S/A, CRF, MATTE, JEWELD
2A	***	U35W000105	BOLT BODY, S/A, CRF, STAINLESS, JEWELD
2A	***	U3501437FP	BOLT BODY, S/A, CRF, TUNGSTEN, JEWELD
2A	***	U3501723CC	BOLT BODY, WSM, CRF, 6.5PRC, STAINLESS, JEWELD
2A	***	U3501722CF	BOLT BODY, WSM, CRF, GLOSS, JEWELD
2A	***	U35W000004	BOLT BODY, WSM, CRF, MATTE, JEWELD
2A	***	U35W000106	BOLT BODY, WSM, CRF, STAINLESS, JEWELD
2A	***	U3501438FP	BOLT BODY, WSM, CRF, TUNGSTEN
2A	***	U3501440FP	BOLT BODY, WSM, CRF, TUNGSTEN, JEWELD
		BST01864CA	MUZZLE BREAK, 1/2-28, MATTE
		BST01865CA	MUZZLE BREAK, 5/8-24, MATTE
		BST759548N	MUZZLE BREAK, 9/16-24, FDE
		BST018333J	MUZZLE BREAK, 9/16-24, STAINLESS
		BST759548M	MUZZLE BREAK, 9/16-24, TUNGSTEN
		U350166AK	SLING SWIVEL BASE SCREW, SUPER GRADE & SAFARI (FRONT)
		U35W000133	SLING SWIVEL BASE SCREW, SUPER GRADE & SAFARI (REAR)
		U3501241AK	STOCK CROSSBOLT, DECROTIVE, (FEMALE)
		U3501242AK	STOCK CROSSBOLT, DECROTIVE, (MALE)
		BST76150AM	THREAD PROTECTOR, 1/2-28, MATTE
		BST76267CA	THREAD PROTECTOR, 5/8-24, MATTE (KNURLED)
		U3501164AE	THREAD PROTECTOR, 5/8-24, STAINLESS
		U35014588N	THREAD PROTECTOR, 9/16-24, FDE
		U35014583J	THREAD PROTECTOR, 9/16-24, STAINLESS
		U35014588M	TRHEAD PROTECTOR, 9/16-24, TUNGSTEN
	***	U3501678AJ	TRIGGER ASSEMBLY, BLUED
	***	U35017633J	TRIGGER ASSEMBLY, STAINLESS
		U3501033CB	TRIGGER GUARD ASSEMBLY, L/A, RAISED HINGE, GLOSS
		U3501930XJ	TRIGGER GUARD ASSEMBLY, L/A, RAISED HINGE, STAINLESS
		U35014488M	TRIGGER GUARD ASSEMBLY, L/A, RAISED HINGE, TUNGSTEN
		U35018008J	TRIGGER GUARD ASSEMBLY, L/A, RECESSED HINGE, MATTE
		U35019188P	TRIGGER GUARD ASSEMBLY, L/A, SUPER GRADE, GLOSS
		U3501760AK	TRIGGER GUARD ASSEMBLY, S/A, RAISED HINGE, GLOSS BLK OXIDE
		U3501730AM	TRIGGER GUARD ASSEMBLY, S/A, RAISED HINGE, MATTE
		U3501762XJ	TRIGGER GUARD ASSEMBLY, S/A, RAISED HINGE, STAINLESS
		U35014468M	TRIGGER GUARD ASSEMBLY, S/A, RAISED HINGE, TUNGSTEN
		U35017848P	TRIGGER GUARD ASSEMBLY, S/A, SUPER GRADE, GLOSS

\*Indicates part must be fitted by Winchester Repeating arms Service Department or qualified gunsmith.  
 \*\*Factory installation only - Return firearm for installation.  
 +Part may be purchased only by holders of current, valid Federal Firearms License.  
 NOTE: unless otherwise indicated, part is interchangeable between gauges/calibers.

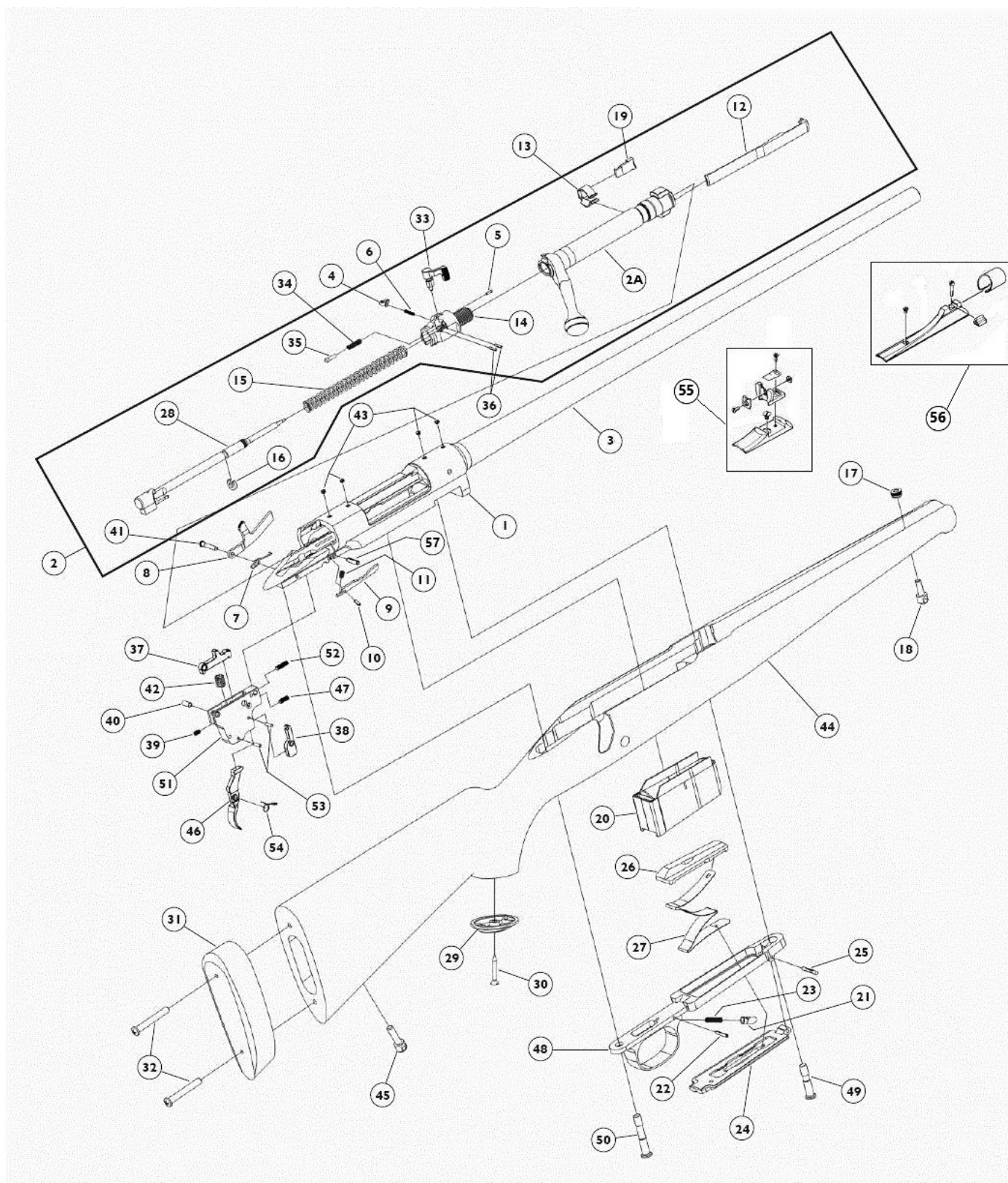


# Bolt-Action Rifle



**MODEL**  
**70**

NOTE: WHEN ORDERING PARTS, USE THE PART NUMBER AND NOT THE SCHEMATIC REFERENCE NUMBER.



Schematic is provided for parts identification only and should not be used as a guide to assemble guns. CAUTION: Winchester parts are not recommended for use in other guns though models may be similar. Inadequately fitted parts may be dangerous.

Winchester Gun Parts Price List