



IMPORTANT INSTRUCTIONS FOR

MODEL 1895™

LEVER-ACTION AND

LEVER-ACTION

TAKEDOWN RIFLES

This owner's manual is for the Winchester® Model 1895™ lever-action rifle only. Supplemental instructions for special edition Model 1895 rifles must be used in conjunction with the instructions found in this owner's manual. If your supplemental instructions are missing, contact us immediately for a free copy or download one online at: winchesterguns.com.

Winchester Repeating Arms
275 Winchester Avenue
Morgan, UT 84050-9333
(800) 945-5237
winchesterguns.com

Winchester is a registered trademark of Olin Corporation.

WINCHESTER®

REPEATING ARMS

Important instructions for the

Winchester® Model 1895™

Lever-Action Rifle

Winchester Repeating Arms

Customer Service Department (United States)

275 Winchester Avenue

Morgan, Utah 84050-9333

Phone: (800) 945-5237

If you have any questions or comments regarding your new firearm, please feel free to write or call us. Use the space below to record information about your new firearm.

Model _____

Serial Number _____

Caliber _____

Grade _____

Purchase Price _____

Purchased From _____

Date of Purchase _____

Specifications within this owner's manual are correct at the time of printing and subject to change without notice.

WINCHESTER®

REPEATING ARMS

CONTENTS	PAGE
State Warning.....	2
WARNING: You Are Responsible for Firearms Safety.....	2
General Description and Operation.....	10
Nomenclature.....	11
Serial Number.....	11
Initial Cleaning and Oiling.....	11
Operation of the “Safety”.....	16
Rebounding Hammer.....	17
Finger Lever Catch.....	20
Ammunition.....	21
Magazine Capacity.....	21
Loading.....	22
Firing.....	27
Unloading.....	29
Sight Adjustment.....	31
Takedown Models.....	36
Cleaning and Maintenance Suggestions.....	44
Parts, Service, Repair and Questions.....	49
Website Information.....	50

The Model 1895 revolutionized sporting rifles. It was designed by John M. Browning to fire the then-new cartridges that used smokeless powder. The box magazine also allowed the use of superior, pointed bullets.

The Model 1895 ranks among the most famous firearms ever produced. President Theodore Roosevelt called his “big medicine.” The Model 1895 was also selected for military service by several nations, with Russia alone purchasing nearly 300,000 just before World War I.

We are especially proud of the many years of enjoyment it is certain to provide for you and your family.

STATE WARNING

According to state law, California requires that firearm manufacturers, distributors and retailers include conspicuous, specific warnings with firearms sold in that state.

WARNING

Firearms must be handled responsibly and securely stored to prevent access by children and other unauthorized users.

California has strict laws pertaining to firearms, and you may be fined or imprisoned if you fail to comply with them. Visit the Web site of the California Attorney General at <https://oag.ca.gov/firearms> for information on firearm laws applicable to you and how you can comply.

Prevent child access by always keeping guns locked away and unloaded when not in use. If you keep a loaded firearm where a child obtains and improperly uses it, you may be fined or sent to prison.

ADVERTENCIA

Las armas de fuego deben de ser manipuladas responsablemente y almacenadas en sitios seguros para prevenir el acceso a ellas por parte de niños y personas sin autorización.

California cuenta con leyes estrictas sobre las armas de fuego, y puede ser multado y encarcelado si no las obedece. Visite la página web de California Attorney General, <https://oag.ca.gov/firearms> para más información sobre cómo cumplir con las leyes de armas de fuego.

Prevenga el acceso de los niños a las armas de fuego manteniéndolas siempre en un lugar seguro, bajo llave y descargadas cuando no estén en uso. Si usted deja un arma cargada al alcance de un niño, y éste la utiliza indebidamente, usted podría ser multado e incluso enviado a la cárcel.

WARNING: YOU ARE RESPONSIBLE FOR FIREARMS SAFETY

WARNING

FAILURE TO FOLLOW ANY OF THE FOLLOWING WARNINGS COULD RESULT IN SERIOUS INJURY OR DEATH.

As a firearm owner, you accept a set of demanding responsibilities. How seriously you take these responsibilities can be the difference between life and death.

There is no excuse for careless or abusive handling of any firearm. At all times handle this firearm and all other firearms with intense respect for their power and potential danger.

Please read and understand all of the cautions, warnings, notices, proper handling procedures and instructions outlined in this owner's manual before using your new firearm.

1 ALWAYS KEEP THE MUZZLE OF YOUR FIREARM POINTED IN A SAFE DIRECTION EVEN THOUGH YOU ARE CERTAIN IT IS UNLOADED.

Never point any firearm at anything you do not intend to shoot. Be extremely alert and aware of all persons and property within the range of your ammunition.

2 NEVER RELY TOTALLY ON YOUR FIREARM'S MECHANICAL "SAFETY" DEVICE. LIKE ANY MECHANICAL DEVICE, A "SAFETY" CAN SOMETIMES FAIL; IT CAN BE JARRED OR INADVERTENTLY MANIPULATED INTO AN UNSAFE CONDITION.

The word "safety" describes a firearm's trigger block mechanism, sear block mechanism, hammer block mechanism or firing pin block mechanism. Mechanical "safeties" are designed to place your firearm in a safer status, and no guarantee can be made that the firearm will not fire even if the "safety" is in the on safe position. Mechanical "safeties" merely aid safe gun handling and are no excuse for pointing your firearm's muzzle in an unsafe direction. See "Operation of the "Safety" on pages 16-17 for instructions on the operation of this firearm's "safety."

Remember, safe gun handling does not stop with your firearm's mechanical "safety" devices, it starts there. Always treat this firearm with the respect due a loaded, ready-to-fire firearm.

Some firearms do not have a mechanical "safety." Many target firearms, lever-action firearms and pistols do not have manual "safety" mechanisms. Therefore it is critical to read and understand the owner's manual for every firearm which explains the safe operation of the firearm.

While it is a good idea to test your firearm's mechanical "safety" periodically for proper function, never test the "safety" while your firearm is loaded or pointed in an unsafe direction.

3 WHENEVER YOU HANDLE ANY FIREARM, OR HAND IT TO SOMEONE, ALWAYS OPEN THE ACTION IMMEDIATELY AND VISUALLY CHECK THE FIREARM'S CHAMBER TO MAKE CERTAIN THAT THE FIREARM IS COMPLETELY UNLOADED.

Make certain the firearm does not inadvertently contain any ammunition. Remember, merely removing the magazine does not mean the chamber is unloaded. Always keep the chamber empty and the "safety" in the on safe position unless shooting is imminent.

4 ALWAYS WEAR EAR AND EYE PROTECTION WHEN SHOOTING.

Unprotected, repeated exposure to gunfire can cause hearing damage. Wear hearing protection (shooting earplugs or muffs) to guard against such damage.

Wear shooting glasses to protect your eyes from flying particles. Allow proper distance (eye relief) between a scope and your eye when firing a scoped pistol, rifle or shotgun. Do not use unorthodox shooting methods that could cause the rearward travel of the slide or bolt of a firearm to contact your eyes, face or hands. Always keep a safe distance between the muzzle of your firearm and any persons nearby, as muzzle blast, debris and ejecting cartridges could inflict serious injury.

Always wear eye protection when disassembling and cleaning any firearm to prevent the possibility of springs, spring-tensioned parts, solvents or other agents from contacting your eyes.

5 KEEP ALL FIREARMS UNLOADED DURING TRANSPORT, EVEN WHEN STORED IN A HOLSTER, GUN CASE, SCABBARD OR OTHER CONTAINER.

6 DROPPING OR JARRING A LOADED FIREARM CAN CAUSE ACCIDENTAL DISCHARGE.

This can occur even with the "safety" in the on safe position. Be extremely careful while hunting or during any shooting activity to avoid dropping any firearm.

7 HUNTING FROM ELEVATED SURFACES SUCH AS TREESTANDS IS DANGEROUS.

Doing so may increase the risk of mishandling a firearm. The following rules should always be observed by you and those you hunt with. Always make certain that the stand being used is safe and stable. Always make certain that your firearm is unloaded when it is being taken up and down from the stand. Always make certain that your firearm is not dropped from the stand, or dropped while it is being taken up or down from the stand. Remember, a loaded firearm may discharge when dropped, even with the “safety” in the on safe position.

8 STORE YOUR FIREARM AND AMMUNITION SEPARATELY, WELL BEYOND THE REACH OF CHILDREN.

Take prudent safeguards to ensure your firearm does not become available to untrained, inexperienced or unwelcome hands. Store all firearms in secure, locked cases or a gun safe. Keep your firearm unloaded when not in use.

9 BEWARE OF BARREL OBSTRUCTIONS.

Mud, snow and an infinite variety of other objects may inadvertently lodge in a barrel bore. It only takes a small obstruction to cause dangerously increased pressures that can damage your firearm and cause serious injury to yourself and others.

BEFORE CHECKING FOR A BARREL OBSTRUCTION, BE CERTAIN YOUR FIREARM IS COMPLETELY UNLOADED, THERE IS NOT A LIVE CARTRIDGE IN THE CHAMBER AND THE “SAFETY” IS IN THE ON SAFE POSITION.

After assuring yourself that the firearm is completely unloaded, open the breech or action and look through the barrel to be sure it is clear of obstructions. If an obstruction is seen, no matter how small it may be, clean the bore with a cleaning rod and patch as described on pages 44-46 of this owner’s manual.

10 BE ALERT TO THE SIGNS OF AMMUNITION MALFUNCTION. IF YOU DETECT AN OFF SOUND OR LIGHT RECOIL WHEN A CARTRIDGE IS FIRED, DO NOT LOAD ANOTHER CARTRIDGE INTO THE CHAMBER.

If your firearm fails to fire, keep the muzzle pointed in a safe direction for a minimum of 30 seconds. Carefully rotate the top of the firearm away from you, open the action and remove the cartridge from the chamber. If the primer is indented, the defective cartridge should be disposed of in a way that cannot cause harm. If the primer is not indented, your firearm should be examined by a qualified gunsmith and the cause of the malfunction corrected before further use. Glance down the barrel to make sure that no obstructions remain in the barrel. Completely clear the barrel before loading and firing again. Failure to follow these instructions can cause extensive damage to your firearm and possible serious injury to yourself and others.

11 NEVER INSERT A CARTRIDGE OF THE INCORRECT CALIBER INTO ANY FIREARM.

The caliber of your firearm is marked on the barrel. Store all cartridges of different calibers in completely separate and well-marked containers. Never store cartridges of mixed calibers in a common container or in your pockets. See page 21 for more information on the correct ammunition for your firearm.

12 EXAMINE EVERY CARTRIDGE YOU PUT IN YOUR FIREARM.

We assume no responsibility for the use of unsafe or improper firearm and ammunition combinations or damage or injury caused by damaged ammunition. It is your responsibility to read and heed all warnings in this owner's manual and on ammunition boxes. See page 21 for more information on the correct ammunition for your firearm.

13 USE ONLY SAAMI APPROVED AMMUNITION.

The barrel and action of this firearm have been made with safety margins over the pressures established by the Sporting Arms and Ammunition Manufacturers' Institute (SAAMI) for Service Cartridges. However, we assume no responsibility for incidents which occur through the use of cartridges of nonstandard dimension or those developing pressures in excess of SAAMI established standards.

14 DISCHARGING FIREARMS IN POORLY VENTILATED AREAS, CLEANING FIREARMS OR HANDLING AMMUNITION MAY RESULT IN EXPOSURE TO LEAD AND OTHER SUBSTANCES KNOWN TO CAUSE BIRTH DEFECTS, REPRODUCTIVE HARM AND OTHER SERIOUS PHYSICAL INJURY. HAVE ADEQUATE VENTILATION AT ALL TIMES. WASH HANDS THOROUGHLY AFTER EXPOSURE.

15 DO NOT SNAP THE FIRING PIN ON AN EMPTY CHAMBER; THE CHAMBER MAY NOT BE EMPTY!

Treat every firearm with the respect due a loaded firearm, even though you are certain the firearm is unloaded.

16 KEEP YOUR FINGERS AWAY FROM THE TRIGGER WHILE LOADING AND UNLOADING UNTIL SHOOTING IS IMMINENT.

17 BE SURE OF YOUR TARGET AND BACKSTOP, PARTICULARLY DURING LOW LIGHT PERIODS.

Know the range of your ammunition. Never shoot at water or hard objects.

18 ALWAYS UNLOAD YOUR FIREARM'S CHAMBER BEFORE CROSSING A FENCE, CLIMBING A TREE, JUMPING A DITCH OR NEGOTIATING OTHER OBSTACLES.

Never place your firearm on or against a fence, tree, car or other similar object.

19 BE DEFENSIVE AND ON GUARD AGAINST UNSAFE GUN HANDLING AROUND YOU AND OTHERS.

Don't be timid when it comes to firearm safety. If you observe other shooters violating any of these safety precautions, politely suggest safer handling practices.

20 BE CERTAIN YOUR FIREARM IS UNLOADED BEFORE CLEANING.

Because so many firearm accidents occur when a firearm is being cleaned, special and extreme care should be taken to be sure your firearm is unloaded before disassembly, cleaning and reassembly.

Keep ammunition away from the cleaning location. Never test the mechanical function of any firearm with live ammunition.

21 TEACH AND SUPERVISE FIREARMS SAFETY TO ALL MEMBERS OF YOUR FAMILY, ESPECIALLY TO CHILDREN AND NON-SHOOTERS.

Closely supervise newcomers to the shooting sports. Encourage enrollment in hunting and shooting safety courses.

22 NEVER DRINK ALCOHOLIC BEVERAGES OR TAKE ANY TYPE OF DRUGS BEFORE OR DURING SHOOTING.

Your vision, motor skills and judgment could be dangerously impaired, making your gun handling unsafe to you and to others.

23 READ AND HEED ALL WARNINGS IN THIS OWNER'S MANUAL, ON AMMUNITION BOXES AND WITH ALL ACCESSORIES THAT YOU INSTALL ON YOUR FIREARM.

It is your responsibility to secure the most up-to-date information on the safe handling procedures of your Winchester firearm. We assume no liability for incidents which occur when unsafe or improper firearm accessories or ammunition combinations are used.

24 PRACTICE PERIODIC MAINTENANCE, AVOID UNAUTHORIZED SERVICING.

Your firearm is a mechanical device which will not last forever, and as such, is subject to wear and requires periodic inspection, adjustment and service. Winchester firearms should be serviced by a Winchester Repeating Arms Authorized Repair Center or by our Service Facility in Arnold, Missouri. We assume no responsibility for injuries suffered or caused by unauthorized servicing, alterations or modifications of Winchester firearms.

25 DO NOT, UNDER ANY CIRCUMSTANCES, ALTER THE TRIGGER, "SAFETY" OR OTHER PARTS OF THE FIRING MECHANISM OF THIS OR ANY OTHER FIREARM EXCEPT AS OTHERWISE DESCRIBED IN THIS MANUAL.

We reserve the right to refuse service on firearms that have been altered, added to or substantially changed. Removal of metal from the barrel, or modifications of the firing mechanism and/or operating parts may lead to a refusal of service on such firearms. You will be charged for parts and labor to return the firearm to original specifications prior to servicing your firearm.

With respect to **AFTERMARKET PARTS OR COMPONENTS** (including, for example, aftermarket trigger systems, barrels, muzzle brakes, suppressors, magazines, etc.), **USE AT YOUR OWN RISK.**

Winchester firearms are designed and engineered to meet stringent safety standards. Winchester Repeating Arms is not responsible for personal injuries or property damage caused by alterations to a firearm. This includes the incorporation of aftermarket parts or components that may or may not satisfy Sporting Arms and Ammunition Manufacturers' Institute (SAAMI) standards (for example, an aftermarket trigger system may not satisfy SAAMI minimum trigger pull standards, etc.) or may create other dangerous conditions. These conditions may or may not be apparent to the user (for example, installing an aftermarket

barrel may have the effect of altering critical firearm dimensions, including headspace, and may create an unsafe firing condition, etc.).

Aftermarket parts or components that do not satisfy SAAMI standards, or that could create other dangerous conditions, should not be used.

FAILURE TO FOLLOW THIS WARNING COULD RESULT IN SERIOUS INJURY OR DEATH, AS WELL AS CAUSE DAMAGE TO YOUR FIREARM.

BE CAREFUL!

GENERAL DESCRIPTION AND OPERATION

The Model 1895 is a modern version of the rifle that broke new ground and set new standards for rifles as the innovations of the 20th century began. With a few minor exceptions, the rifle is virtually identical to the original. The primary difference is the addition of a top-tang mounted “safety” and a rebounding hammer. These features are explained in detail later in this owner’s manual.

The unique, non-detachable box magazine design of the Model 1895 allowed a lever-action repeater — for the first time — to handle newly developed ammunition that featured jacketed, pointed bullets and smokeless powder. The improved ballistics of the new ammunition, distinct bullet protection advantages of a box magazine, and the firing speed of a lever-action quickly made the Model 1895 the choice of many big game hunters of the day.

Cycling the lever fully downward and back up moves a cartridge from the box magazine to the chamber. After firing, working the lever ejects the empty cartridge nearly straight up and slightly to the right, over your head. Returning the lever upward cycles a loaded cartridge from the magazine into the chamber. The reliable, smooth function of the Model 1895 made it famous in its day, and you will quickly appreciate this advantage on your new rifle.

NOMENCLATURE

Descriptions in this owner's manual generally refer to the firearm in the horizontal, normal firing position. For example, the muzzle is forward or front; the buttstock is rearward or rear; the trigger is downward or underneath; the sights are upward or on top.

Throughout this owner's manual the action refers to the mechanism of this rifle which loads and secures the cartridge in the chamber.

Figure 1 (pages 12-13) covers the general features and benefits of the Model 1895 design. Refer to Figures 2, 3 and 4 (pages 14-15) for general part descriptions of your new rifle. You must become familiar with all the part names listed before proceeding with the rest of the instructions in this owner's manual.

The appearance of your rifle may be slightly different, depending on the version you purchased.

SERIAL NUMBER

The serial number of your Model 1895 can be found stamped on the right side of the receiver, toward the front. Record the serial number at the front of this owner's manual for future reference.

INITIAL CLEANING AND OILING

▲WARNING

WEAR EYE PROTECTION WHEN ASSEMBLING AND DISASSEMBLING YOUR RIFLE TO PREVENT SPRINGS, SPRING-LOADED PARTS, SOLVENTS OR OTHER AGENTS FROM CONTACTING YOUR EYES, RESULTING IN INJURY.

Various exposed metal parts of your new firearm have been coated at the factory with a rust preventative compound. Before firing your rifle, clean the anti-rust compound from the inside of the barrel, receiver and the action-chamber areas. A fine, light gun oil is ideal for removing this compound and for giving your new firearm its first lubrication. However, any quality firearm oil may be used. Clean the barrel using a

WINCHESTER®

REPEATING ARMS

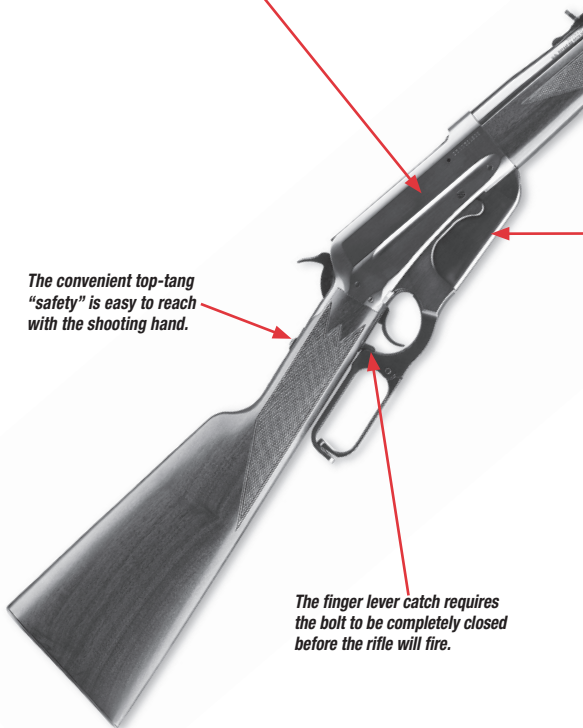
FIGURE 1

MODEL 1895 FEATURES

The design of the Model 1895 action is simple, yet incredibly strong and fast to operate.

The convenient top-tang "safety" is easy to reach with the shooting hand.

The finger lever catch requires the bolt to be completely closed before the rifle will fire.



WINCHESTER®

REPEATING ARMS

Traditional open sights are easily adjustable for elevation and drift adjustable for windage.

The non-detachable box magazine was revolutionary in its day, allowing the Model 1895 to take full advantage of ballistically superior pointed bullets.

WINCHESTER®

REPEATING ARMS

FIGURE 2

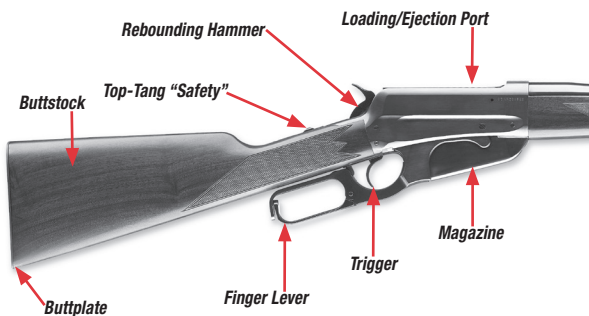
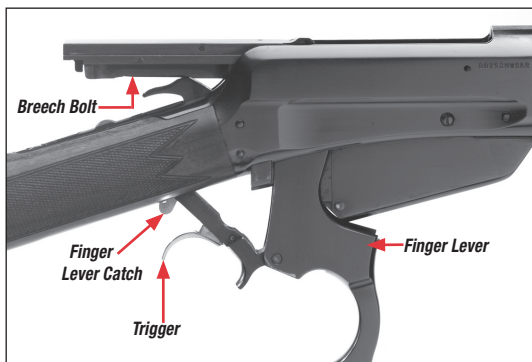
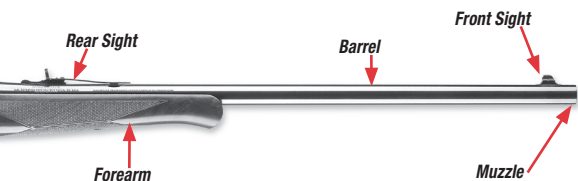


FIGURE 3



FIGURE 4





cleaning rod and patch as explained under “Cleaning and Maintenance Suggestions” on pages 44-46. If your rifle is to be stored, it is acceptable to leave the rust preventative compound on the rifle and keep it in its original packaging.

Before the first firing of your Model 1895 you should wipe the mechanism completely clean. Clean the bore and apply a few drops of quality oil on the following surfaces (Figure 5, page 15):

- Along the breech bolt surface.
- Along the breech bolt rail surfaces.
- On all pivot points and bearing surfaces on the finger lever mechanism.

Avoid applying too much oil. Only a light film is necessary. Cleaning and Maintenance Suggestions should be followed before each oiling.

FIGURE 5



Lightly oil the rifle at these points.

OPERATION OF THE “SAFETY”

▲WARNING

ALWAYS KEEP THE “SAFETY” IN THE ON SAFE POSITION AND THE HAMMER IN THE REBOUND POSITION UNLESS SHOOTING IS IMMINENT. ALWAYS KEEP THE MUZZLE POINTED IN A SAFE DIRECTION. FAILURE TO FOLLOW THESE WARNINGS COULD RESULT IN SERIOUS INJURY OR DEATH.

The Model 1895 features a top-tang, hammer block “safety.” When the “safety” has been placed in the on safe position it blocks the hammer from striking the firing pin. However, the “safety” does not prevent the hammer from falling when the trigger is pulled, even if the “safety” is in the on safe position. When the trigger is pulled, with the “safety” in the on safe position, the hammer drops to the rebound position without striking the firing pin. The “safety” has two positions:

- On Safe — This is the recommended position of the “safety” for all times except when firing is imminent.

To place the “safety” in the on safe position, point your rifle in a safe direction, then slide the “safety” fully to the rear with your thumb until the red warning dot is covered by the “safety” and the “S” is visible (Figure 6, page 17). Moving the “safety” fully rearward and exposing the “S” blocks the hammer from striking the firing pin.

- Off Safe — When the “safety” is pushed all the way forward it is in the off safe position (Figure 7, page 17). In this position, when the trigger is pulled, the cocked hammer will fall and strike the firing pin. If a cartridge is in the chamber the firing pin will strike the primer and fire the cartridge.

▲WARNING

DO NOT DEPEND ON THE RED COLOR ALONE TO INDICATE YOUR FIREARM’S SAFETY STATUS. TIME, EXPOSURE TO THE ELEMENTS, AND THE ABRASIVE ACTION OF CLEANING AGENTS CAN ERASE IT.

FIGURE 6



FIGURE 7



FAILURE TO FOLLOW THIS WARNING COULD RESULT IN SERIOUS INJURY OR DEATH.

To place the "safety" in the off safe position, point your rifle in a safe direction, then slide the "safety" fully forward, covering the "S" inscribed on the rifle, and exposing the red warning dot. When the red warning dot is visible the "safety" is in the off safe position.

The "safety" can be actuated with the hammer in the rebound or cocked position.

REBOUNDING HAMMER

The Model 1895 features a rebounding hammer designed to prevent the hammer from moving forward and striking the firing pin unless the trigger is pulled.

After firing your rifle the hammer immediately moves to the rebound position. The hammer can also be manually lowered from full-cock to the rebound position as detailed on page 19 under "Lowering the Hammer."

HAMMER POSITIONS

The rebounding hammer on the Model 1895 has two positions:

- Rebound Position — This position (Figure 8, page 18) takes the place of the dropped and half-cock positions found on the original Model 1895 rifles.

FIGURE 8

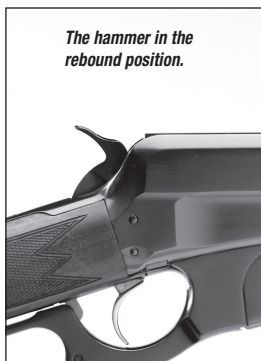
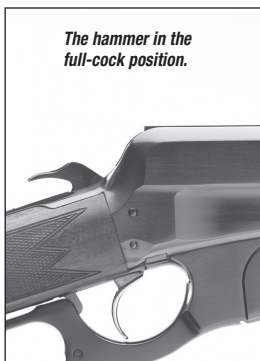


FIGURE 9



The rebounding feature of the hammer essentially eliminates the dropped hammer position. The hammer only travels to the dropped position momentarily after the trigger has been pulled with the hammer fully-cocked. The hammer then automatically moves to the rebound position.

The rebound position is the recommended position of the hammer at all times and should be in that position except (1) when firing is imminent (2) or immediately after the action has been cycled.

- Full-Cock Position — This is the position that the hammer is moved to when firing is imminent (Figure 9, page 18). It is also the position the hammer moves to when the action is cycled using the finger lever.

▲WARNING

ALWAYS KEEP THE “SAFETY” IN THE ON SAFE POSITION WHEN THE HAMMER IS IN THE FULL-COCK POSITION UNLESS FIRING IS IMMINENT. ALWAYS KEEP THE MUZZLE POINTED IN A SAFE DIRECTION. FAILURE TO FOLLOW THESE WARNINGS COULD RESULT IN SERIOUS INJURY OR DEATH.

FIGURE 10

Hold the hammer firmly and pull the trigger.



FIGURE 11

Carefully lower the hammer forward to the rebound position.



LOWERING THE HAMMER

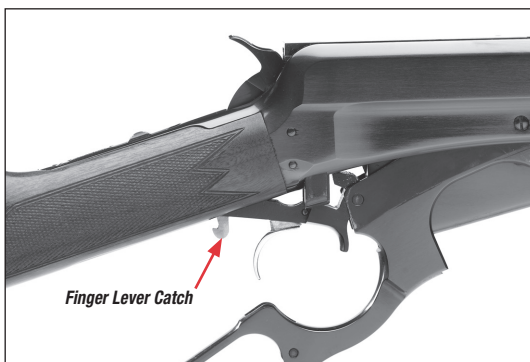
At any time the hammer can be moved to the full-cock position either manually or by cycling the finger lever fully. Unless shooting is imminent it is important to keep the hammer in the rebound position. To lower the hammer from the full-cock position to the rebound position, perform the following operation.

▲WARNING

WHEN LOWERING THE HAMMER TO THE REBOUND POSITION, ALWAYS KEEP THE MUZZLE POINTED IN A SAFE DIRECTION. ALWAYS KEEP THE “SAFETY” IN THE ON SAFE POSITION. FAILURE TO FOLLOW THESE WARNINGS COULD RESULT IN SERIOUS INJURY OR DEATH.

1. Place the “safety” in the on safe position.
2. Place your thumb on the hammer spur and firmly hold the hammer back slightly with your thumb.
3. While holding the hammer back, apply just enough pressure on the trigger to release the hammer from the full-cock position (Figure 10, page 19). Immediately remove your finger from the trigger, then slowly and carefully allow the hammer to lower into the rebound position (Figure 11, page 19).

FIGURE 12



FINGER LEVER CATCH

It is important that the breech be fully closed before your rifle is fired. To help assure this is the case, your Model 1895 has a finger lever catch mechanism.

The finger lever catch is a small, hook-shaped component (Figure 12, page 20) that protrudes from the bottom of the receiver and engages the lever when it is fully closed. The finger lever catch holds the lever up, and keeps the bolt in the locked position until downward pressure is exerted by your hand on the lower portion of the two-piece finger lever. To fire your rifle, make sure that the finger lever engages the finger lever catch.

▲WARNING

THE FINGER LEVER CATCH IS NOT A “SAFETY.” IT IS SIMPLY AN INTERLOCK TO ASSURE THAT THE BREECH IS FULLY CLOSED BEFORE A CARTRIDGE CAN BE DISCHARGED. NEVER RELY ON THE FINGER LEVER CATCH TO PREVENT ACCIDENTAL DISCHARGE. FAILURE TO FOLLOW THESE WARNINGS COULD RESULT IN SERIOUS INJURY OR DEATH.

ADDITIONAL INFORMATION

- Keep the action open (finger lever down) when your rifle is laying on a bench or table at a

WINCHESTER®

REPEATING ARMS

shooting range or other facility, and at all other times except when you are in the field and shooting is imminent or the rifle is completely unloaded and to be securely stored.

AMMUNITION

⚠ WARNING

DISCHARGING FIREARMS IN POORLY VENTILATED AREAS, CLEANING FIREARMS OR HANDLING AMMUNITION MAY RESULT IN EXPOSURE TO LEAD AND OTHER SUBSTANCES KNOWN TO CAUSE BIRTH DEFECTS, REPRODUCTIVE HARM AND OTHER SERIOUS PHYSICAL INJURY. HAVE ADEQUATE VENTILATION AT ALL TIMES. WASH HANDS THOROUGHLY AFTER EXPOSURE.

DO NOT USE AMMUNITION OTHER THAN WHAT IS INSCRIBED ON THE BARREL. EXAMINE EVERY CARTRIDGE YOU PUT IN YOUR FIREARM.

FAILURE TO FOLLOW THESE WARNINGS MAY RESULT IN INJURY TO YOURSELF OR OTHERS, OR CAUSE DAMAGE TO YOUR FIREARM.

The Model 1895 is designed to shoot modern factory cartridges only. The caliber of your new Model 1895 is inscribed on the top of the barrel, just in front of the receiver. Make sure you use only the exact ammunition/caliber as listed on the barrel.

The barrel and action of this firearm have been made with safety margins over the pressures established by the Sporting Arms and Ammunition Manufacturers' Institute (SAAMI) for Service Cartridges. However, we assume no responsibility for incidents which occur through the use of cartridges of nonstandard dimension or those developing pressures in excess of SAAMI established standards.

MAGAZINE CAPACITY

The Model 1895 has a non-detachable box magazine that holds four cartridges. If shooting is imminent,

one additional cartridge can be placed in the chamber for a total capacity of five rounds. Remember, “total” capacity includes an additional round which can be loaded in the chamber in addition to a full magazine.

LOADING

▲WARNING

WHEN LOADING YOUR RIFLE ALWAYS KEEP THE MUZZLE POINTED IN A SAFE DIRECTION AND PLACE THE “SAFETY” IN THE ON SAFE POSITION. KEEP YOUR FINGERS AWAY FROM THE TRIGGER. FAILURE TO FOLLOW THESE WARNINGS COULD RESULT IN SERIOUS INJURY OR DEATH.

TO AVOID ACCIDENTAL DISCHARGE, DO NOT CARRY YOUR RIFLE WITH A CARTRIDGE IN THE CHAMBER. WHEN FIRING IS NO LONGER IMMINENT, MAKE SURE THE “SAFETY” IS IN THE ON SAFE POSITION, UNLOAD THE CHAMBER AND MAKE SURE THE HAMMER IS IN THE REBOUND POSITION. FAILURE TO FOLLOW THESE WARNINGS COULD RESULT IN SERIOUS INJURY OR DEATH.

LOADING THE MAGAZINE

The magazine is loaded by placing cartridges into the non-detachable magazine through the open action through the top.

1. Place the “safety” in the on safe position.
2. Open the action by swinging the finger lever fully downward.
3. Place a cartridge down through the open receiver in a vertical position, rim first, and position the base against the magazine follower just forward of the magazine feed guides (Figure 13, page 23).
4. Push down on the follower with the cartridge and angle the cartridge so that the base starts under the magazine feed guides and the bullet lowers toward the front of the magazine.
5. Move the cartridge rearward under the magazine feed guides and into position. Make sure the

FIGURE 13

Position the base of the cartridge against the follower.

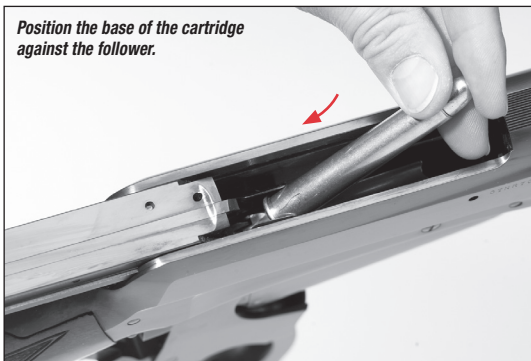
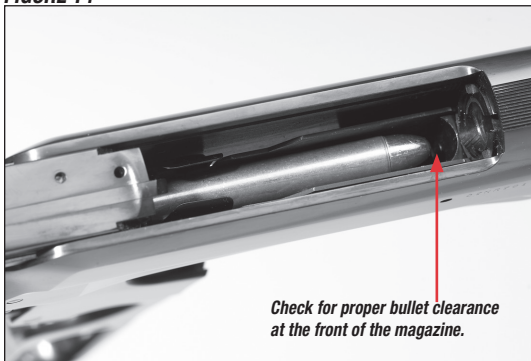


FIGURE 14

Check for proper bullet clearance at the front of the magazine.



cartridge base is seated against the rear of the magazine and that the bullet point has clearance at the front of the magazine (Figure 14, page 23).

6. Insert the next cartridge, pushing the cartridge rim down onto the previous cartridge just forward of the magazine feed guides, then down into the magazine as explained in steps 3, 4 and 5 (Figure 15, page 24).
7. Repeat this procedure with each cartridge until the magazine is fully loaded with four cartridges.
8. Close the action by pushing down on the top cartridge in the magazine with the thumb of your

FIGURE 15

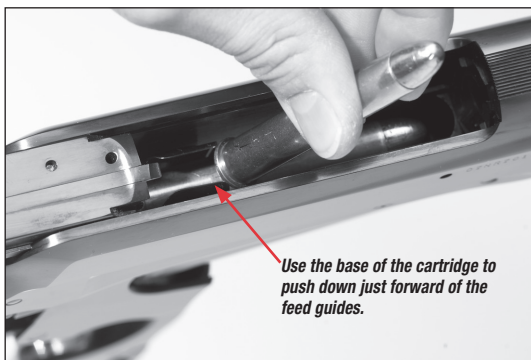


FIGURE 16



free hand (Figure 16, page 24) while you close the action by pulling the finger lever back and upward. This allows the bolt to slide over the top cartridge in the magazine without loading a cartridge into the chamber. Keep your fingers away from the trigger when working the finger lever.

9. Immediately lower the hammer to the rebound position.

LOADING DIRECTLY TO THE CHAMBER

The chamber of your rifle may be loaded by placing a cartridge directly into the chamber through the opened action, or by transferring a cartridge that was

FIGURE 17



previously loaded into the magazine to the chamber by operating the finger lever.

1. Place the “safety” in the on safe position.
2. Open the action by pulling the finger lever downward and fully forward.
3. Insert a cartridge directly into the chamber (Figure 17, page 25).
4. Push down on the top cartridge in the magazine with your thumb (Figure 16, page 24) while you close the action by pulling the finger lever back and upward. This allows the bolt to slide over the top cartridge in the magazine. Keep your fingers away from the trigger when working the finger lever.

▲WARNING

THE RIFLE IS NOW READY TO FIRE BY SIMPLY MOVING THE “SAFETY” TO THE OFF SAFE POSITION AND PULLING THE TRIGGER.

5. If shooting is not imminent immediately lower the hammer to the rebound position.

LOADING THE CHAMBER FROM THE MAGAZINE

1. Place the “safety” in the on safe position.

FIGURE 18



2. Open the action by pulling the finger lever downward and fully forward (Figure 18, page 26).
3. Load the magazine as explained previously.
4. Close the action by pulling the finger lever back and upward. This transfers a cartridge from the magazine into the chamber. Keep your fingers away from the trigger when working the finger lever.

⚠ WARNING

THE RIFLE IS NOW READY TO FIRE BY SIMPLY MOVING THE “SAFETY” TO THE OFF SAFE POSITION AND PULLING THE TRIGGER.

5. If shooting is not imminent immediately lower the hammer to the rebound position.

LOADING THE RIFLE TO FULL CAPACITY

1. Place the “safety” in the on safe position.
2. Open the action by pulling the finger lever downward and fully forward.
3. Load the magazine as explained previously.
4. Insert a cartridge directly into the chamber.
5. Push down on the top cartridge in the magazine with your thumb (Figure 16, page 24) while you

FIGURE 19

Firmly position your thumb on the hammer and pull it back to the full-cock position.



close the action by pulling the finger lever back and upward. This allows the bolt to slide over the top cartridge in the magazine. Keep your fingers away from the trigger when working the finger lever.

▲WARNING

THE RIFLE IS NOW READY TO FIRE BY SIMPLY MOVING THE “SAFETY” TO THE OFF SAFE POSITION AND PULLING THE TRIGGER.

6. If shooting is not imminent immediately lower the hammer to the rebound position.

FIRING

▲WARNING

NEVER CHAMBER A CARTRIDGE, MOVE THE “SAFETY” FROM THE ON SAFE POSITION OR COCK THE HAMMER UNLESS SHOOTING IS IMMINENT. ALWAYS KEEP THE MUZZLE POINTED IN A SAFE DIRECTION. FAILURE TO FOLLOW THESE WARNINGS COULD RESULT IN SERIOUS INJURY OR DEATH.

1. Place the “safety” in the on safe position.
2. Load the chamber of the rifle as explained previously.

3. Firmly position your thumb on the hammer and draw the hammer back to the full-cock position (Figure 19, page 27).

▲WARNING

THE RIFLE IS NOW READY TO FIRE BY SIMPLY MOVING THE “SAFETY” TO THE OFF SAFE POSITION AND PULLING THE TRIGGER.

4. Take aim, and when on target, move the “safety” to the off safe position and squeeze the trigger. After firing, release the trigger to the fully forward position.
5. Swing the finger lever fully down, extracting and ejecting the fired cartridge case from the chamber. When an empty cartridge case is correctly ejected it will fall to the ground in an area behind and to the right of the shooter.

▲WARNING

ALWAYS KEEP YOUR RIFLE SHOULDERED WHEN EJECTING AN EMPTY CARTRIDGE CASE. EJECTION IS UP AND SLIGHTLY TO THE RIGHT. IF YOU EJECT A CARTRIDGE CASE WITH THE RIFLE LOWERED AND THE ACTION DIRECTLY IN FRONT OF YOUR FACE, IT IS POSSIBLE THAT THE EJECTED CARTRIDGE CASE COULD STRIKE YOU IN THE FACE, OR STRIKE A BYSTANDER. FAILURE TO FOLLOW THIS WARNING COULD RESULT IN SERIOUS INJURY.

6. Close the action by returning the finger lever upward. The closing of the action will transfer a new cartridge from the magazine to the chamber, leaving the hammer in the full-cock, ready-to-fire position.

If you wish to continue shooting, repeat steps 4 and 5. If you are finished shooting go immediately to step 7.

You may continue shooting until the magazine is empty and the last cartridge in the chamber fired, at which time you will need to either reload the magazine with cartridges (if shooting

is imminent), or completely unload your rifle (if shooting is completed).

7. When firing is completed or when shooting is no longer imminent, immediately place the “safety” in the on safe position and move the hammer to the rebound position. Under no circumstances should you move on or continue to hunt with the hammer in the full-cock position or the “safety” in the off safe position.

▲WARNING

AFTER FIRING, OR WHEN SHOOTING IS NO LONGER IMMINENT, IMMEDIATELY PLACE THE “SAFETY” IN THE ON SAFE POSITION AND MOVE THE HAMMER TO THE REBOUND POSITION. FAILURE TO FOLLOW THESE WARNINGS COULD RESULT IN SERIOUS INJURY OR DEATH.

UNLOADING

▲WARNING

WHEN UNLOADING YOUR RIFLE ALWAYS PLACE THE “SAFETY” IN THE ON SAFE POSITION. KEEP THE MUZZLE POINTED IN A SAFE DIRECTION AND YOUR FINGERS AWAY FROM THE TRIGGER. FAILURE TO FOLLOW THESE WARNINGS COULD RESULT IN SERIOUS INJURY OR DEATH.

ALWAYS INSPECT THE CHAMBER, BARREL, FEED MECHANISM AND MAGAZINE CAREFULLY AFTER UNLOADING TO BE SURE ALL LIVE CARTRIDGES ARE CLEARED FROM THE FIREARM.

Completely unloading your rifle prior to storage and other appropriate situations is essential to safe gun handling. The “safety” on the Model 1895 is of utmost importance during unloading. When the “safety” is in the on safe position, it allows you to cycle the action and eject loaded cartridges from the magazine with the hammer blocked and unable to strike the firing pin.

1. Place the “safety” in the on safe position.

FIGURE 20



2. With your fingers away from the trigger, swing the finger lever completely downward. This will extract a cartridge from the chamber and eject it. Capture and remove the cartridge and return the finger lever fully upward. It is possible, with practice, to carefully work the lever and capture the loaded ejected cartridges with your other hand each time the lever is cycled (Figure 20, page 30). Do not allow the loaded cartridges to eject onto the ground where they may be damaged.
3. Continue to operate the finger lever in the same manner, transferring all the remaining cartridges from the magazine to the chamber and then ejecting them out.
4. When cartridges no longer eject when you cycle the action, further ensure that no cartridges remain by opening the action and visually checking the chamber (Figure 21, page 31), feed mechanism and magazine follower (Figure 22, page 31) to be certain that the rifle is completely unloaded. After the last live cartridge is moved out of the magazine and ejected, immediately lower the hammer to the rebound position as explained previously.

FIGURE 21

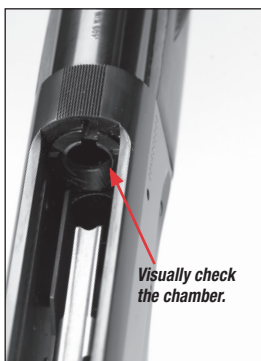
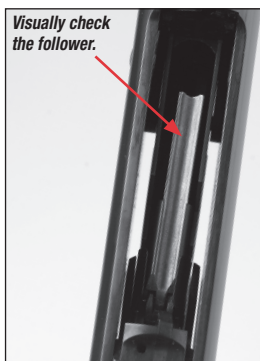


FIGURE 22



SIGHT ADJUSTMENT

⚠ WARNING

BEFORE ADJUSTING THE SIGHTS, PLACE THE “SAFETY” IN THE ON SAFE POSITION. OPEN THE ACTION AND MAKE CERTAIN YOUR RIFLE IS COMPLETELY UNLOADED. KEEP THE MUZZLE POINTED IN A SAFE DIRECTION. FAILURE TO FOLLOW THESE WARNINGS COULD RESULT IN SERIOUS INJURY OR DEATH.

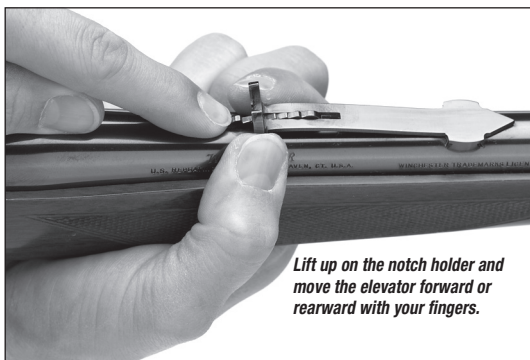
The Model 1895 is fitted with adjustable open sights. The type of sights may vary depending on the version of rifle you have.

The proper sight adjustment procedure is to shoot a group with the sights set as they come from the factory (intermediate position on both elevation and windage), and then make incremental adjustments to move the sight blade and blade holder to position the group on your target.

Care should be taken not to mar the finish, damage the attaching screws or bend sight components when adjustments are made.

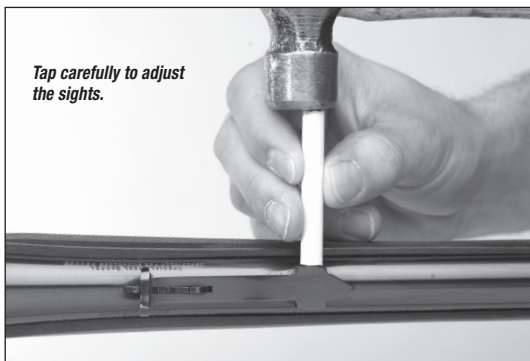
All sight adjustments are a matter of trial and error. Remember, it is usually necessary to adjust your sights when you change type or even brand of ammunition.

FIGURE 23



Lift up on the notch holder and move the elevator forward or rearward with your fingers.

FIGURE 24



Tap carefully to adjust the sights.

ELEVATION ADJUSTMENT — SEMI-BUCKHORN STYLE REAR SIGHT

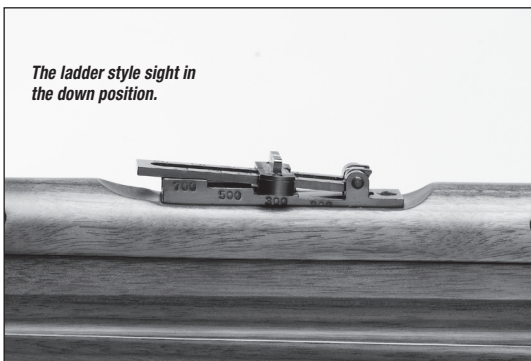
Adjusting elevation requires you to lift up the rear blade on your rifle's rear sight with your fingers and move the notched elevator either forward or backward (Figure 23, page 32).

To raise point of impact, use your fingers to lift up on the blade and slide the elevator rearward. Adjusting the sight to make your gun shoot lower is just the opposite, move the elevator forward.

- Move the rear sight blade and elevator up to shoot higher on the target.

FIGURE 25

The ladder style sight in the down position.



- Move the rear sight blade and elevator down to shoot lower on the target.

WINDAGE ADJUSTMENT — SEMI-BUCKHORN STYLE REAR SIGHT

To adjust for windage, gently move the rear sight base to the right or left by tapping the sight base at the dovetail using a wood or fiber dowel or hammer that will not mar the sight (Figure 24, page 32).

- Move the rear sight base to the right to shoot farther to the right on the target.
- Move the rear sight base to the left to shoot farther to the left on the target.

ELEVATION ADJUSTMENT — LADDER STYLE REAR SIGHT

For precision long-range shooting, some Model 1895 versions include a ladder style rear sight that is adjustable for elevation and windage.

Elevation adjustment is marked in graduated steps from 200 to 1,800 yards. The graduations from 200-700 yards are found on the left side of the sight base (Figure 25, page 33). For distances between 200 and 700 yards, the sight is folded forward, in the down position. The slide assembly can be slid forward or rearward on the sight ladder to the desired yardage.

FIGURE 26

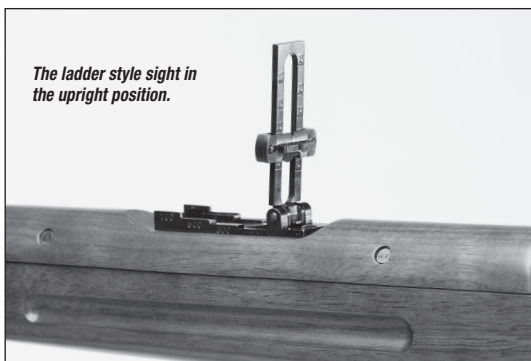
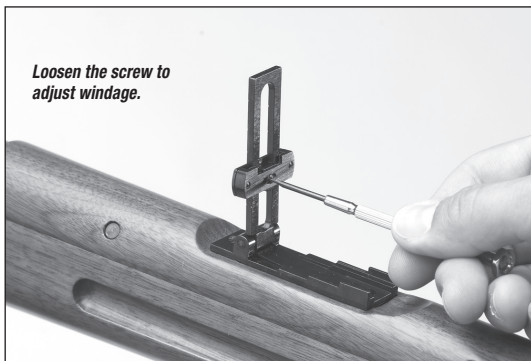


FIGURE 27



The graduations from 800 to 1,800 yards are found on the topside of the sight ladder (Figure 26, page 34). For distances between 800 and 1,800 yards, the sight is designed to flip rearward to the upright position. The slide assembly can then be slid up or down on the sight ladder to the desired yardage.

WINDAGE ADJUSTMENT — LADDER STYLE REAR SIGHT

1. Use a small screwdriver to loosen the windage adjustment screw on the underside of the slide assembly (Figure 27, page 34).

FIGURE 28



2. Carefully move the slide assembly to the right or left. Note how much you adjust the sight as you sight in your rifle. Remember:
 - Move the slide assembly to the right to shoot farther to the right on the target.
 - Move the slide assembly to the left to shoot farther to the left on the target.
3. Carefully tighten the windage adjustment screw using a screwdriver.

FRONT SIGHT ADJUSTMENT

Some versions of the Model 1895 feature a front sight with a removable brass blade (Figure 28, page 35). Historically, elevation would be fine-tuned for different loads/brands of ammunition by carefully filing the front sight blade to the necessary height to match the ammunition. In this manner, it is possible to have customized sight blades for every load you shoot.

Sight blades can be removed by gently tapping the pin from the left side to the right side, and replacing the blade. Reverse the procedure for installation.

SIGHT MAINTENANCE

Occasionally check the sights to make sure they have not been jarred or vibrated out of adjustment. This is especially important after extensive shooting or after hunting under rugged conditions. If you have a ladder style rear sight, check the two screws that fix the sight ladder to the barrel, the slide assembly screws and windage adjustment screw and carefully tighten them if necessary. If your front sight has removable blades, check the pin that secures the front blade.

TAKEDOWN MODELS

Model 1895 Takedown rifles have a mechanism that allows you to separate the barrel/forearm assembly from the receiver assembly. The takedown design utilizes an interrupted thread system on the barrel extension and receiver, and a barrel lock on the forearm which allows you to disengage the barrel/forearm from the receiver. For terminology related to the Model 1895 Takedown rifle refer to Figures 29, 30 and 31 (page 37).

NOTICE

THE BARREL/FOREARM ASSEMBLY MUST ONLY BE USED WITH THE RECEIVER ASSEMBLY IT WAS SOLD WITH. BARRELS ARE NOT INTERCHANGEABLE WITH ANY OTHER CURRENT OR OLDER MODEL 1895 RIFLE.

TAKEDOWN PROCEDURE

⚠ WARNING

BEFORE PERFORMING DISASSEMBLY PROCEDURES, PLACE THE "SAFETY" IN THE ON SAFE POSITION. COMPLETELY UNLOAD THE RIFLE BY REMOVING ALL CARTRIDGES FROM THE CHAMBER, MAGAZINE AND ACTION-FEED AREAS. KEEP THE MUZZLE POINTED IN A SAFE DIRECTION. FAILURE TO FOLLOW THESE WARNINGS COULD RESULT IN SERIOUS INJURY OR DEATH, AND CAUSE DAMAGE TO YOUR FIREARM.

FIGURE 29

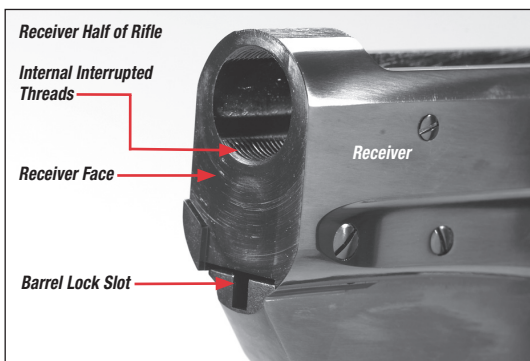


FIGURE 30

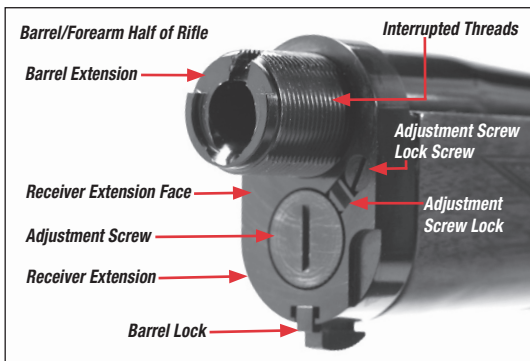
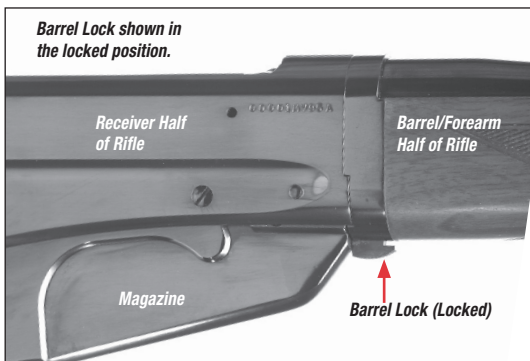


FIGURE 31



With the rifle fully assembled use the following procedure to take it down into two parts.

1. Completely unload the rifle as explained previously.
2. Open the action completely by working the finger lever completely downward.

NOTICE

THE RIFLE CANNOT BE TAKEN DOWN UNLESS THE ACTION IS OPEN. DAMAGE CAN OCCUR TO THE BOLT COMPONENTS IF YOU ATTEMPT TO TAKE DOWN THE RIFLE WITH THE ACTION CLOSED.

3. Slide the barrel lock forward towards the muzzle of the rifle (Figure 32, page 39).
4. Grasp the receiver half of the rifle with one hand and hold the forearm half with the other hand.
5. With the rifle oriented with you looking from the receiver toward the barrel/forearm, turn the barrel/forearm assembly clockwise 90° (Figure 33, page 39). This unlocks the barrel threads from the matching threads in the receiver.
6. Pull the barrel/forearm forward, removing the threaded barrel extension from the receiver (Figure 34, page 39).

NOTICE

IF THE BARREL/FOREARM WILL NOT TURN WITH RESPECT TO THE RECEIVER, DO NOT APPLY EXTRA FORCE UNTIL YOU OPEN THE ACTION AND CHECK TO MAKE SURE THE BARREL LOCK HAS BEEN SLID FORWARD SUFFICIENTLY. APPLYING UNDUE FORCE WITH THE ACTION CLOSED OR THE BARREL LOCK ENGAGED COULD DAMAGE THE RIFLE.

Your rifle is now taken down. To case or store the two halves of your rifle, return the finger lever to the closed position, return the takedown lever to the folded-down position flush with the bottom of the magazine, centered on the bottom of the magazine tube.

FIGURE 32

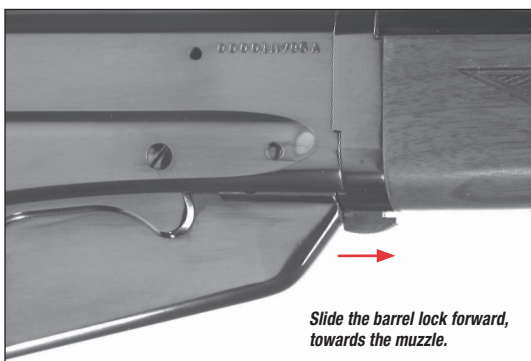


FIGURE 33

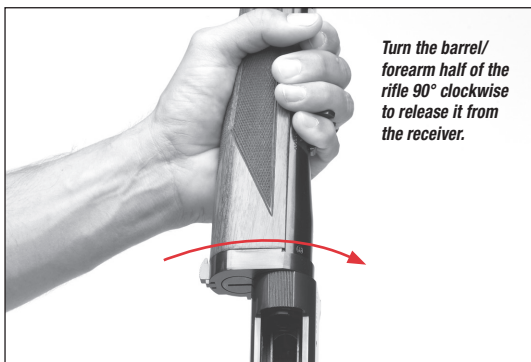
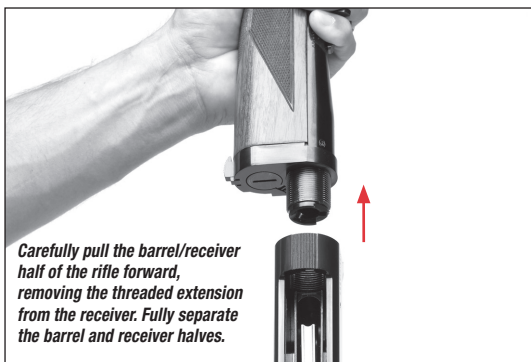


FIGURE 34



ASSEMBLY PROCEDURE

▲WARNING

BEFORE PERFORMING ASSEMBLY PROCEDURES, PLACE THE “SAFETY” IN THE ON SAFE POSITION. COMPLETELY UNLOAD THE RIFLE BY REMOVING ALL CARTRIDGES FROM THE CHAMBER, MAGAZINE AND ACTION-FEED AREAS. KEEP THE MUZZLE POINTED IN A SAFE DIRECTION. FAILURE TO FOLLOW THESE WARNINGS COULD RESULT IN SERIOUS INJURY OR DEATH, AND CAUSE DAMAGE TO YOUR FIREARM.

If your rifle is taken down into its two component parts follow these instructions for assembly and for preparing your rifle for use.

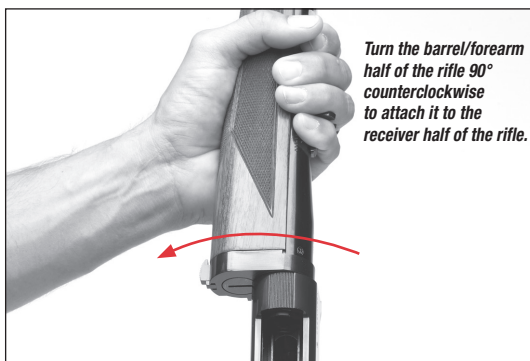
1. Open the action completely by working the finger lever completely downward.

NOTICE

THE RIFLE CANNOT BE ASSEMBLED UNLESS THE ACTION IS OPEN. DAMAGE CAN OCCUR TO THE BOLT COMPONENTS IF YOU ATTEMPT TO ASSEMBLE THE RIFLE WITH THE ACTION CLOSED.

2. Make sure the barrel lock is slid all the way toward the muzzle.
3. Grasp the receiver half of the rifle with one hand and hold the forearm half with the other hand.
4. Position the receiver half in normal shooting position (top of the receiver upward) and position the barrel/forearm rotated until the bottom of the forearm is on the left side, at approximately 90°.
5. Carefully insert the threaded barrel extension fully into the receiver until the faces on the receiver half and the barrel/forearm half are lightly touching. At this point the barrel extension is fully inserted. The interrupted threads on both the barrel extension and in the receiver allow you to attach the barrel/forearm to the receiver.

FIGURE 35



6. With the barrel extension inserted, turn the barrel/forearm counterclockwise 90° to tighten the connection (Figure 35, page 41). Very little force should be required to turn the barrel/forearm assembly into its proper position.

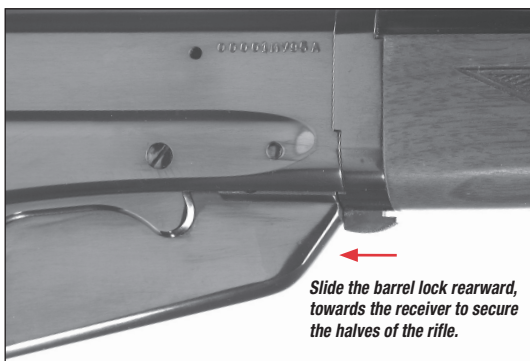
NOTICE

IF THE BARREL/FOREARM WILL NOT TURN WITH RESPECT TO THE RECEIVER, DO NOT APPLY EXTRA FORCE UNTIL YOU OPEN THE ACTION AND CHECK TO MAKE SURE THE BARREL LOCK HAS BEEN SLID FORWARD SUFFICIENTLY. APPLYING UNDUE FORCE WITH THE ACTION CLOSED OR THE BARREL LOCK ENGAGED COULD DAMAGE THE RIFLE.

If the barrel/forearm will still not rotate, ensure there is no foreign matter (dirt, grit, etc.) between the faces on the receiver extension and receiver. Clean both surfaces and lightly oil them.

7. With the two halves properly in place, slide the barrel lock fully to the rear of the rifle (Figure 36, page 42). Your rifle is now assembled.

FIGURE 36



BARREL TAKE-UP ADJUSTMENT

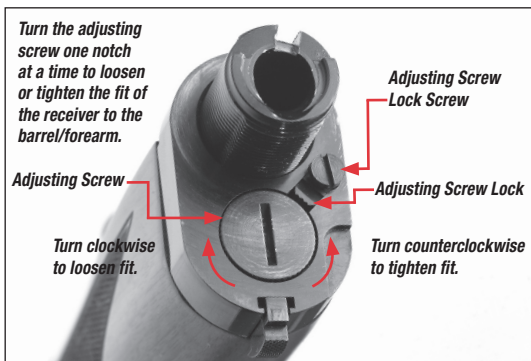
▲WARNING

BEFORE PERFORMING ADJUSTMENT PROCEDURES, PLACE THE "SAFETY" IN THE ON SAFE POSITION. COMPLETELY UNLOAD THE RIFLE BY REMOVING ALL CARTRIDGES FROM THE CHAMBER, MAGAZINE AND ACTION-FEED AREAS. KEEP THE MUZZLE POINTED IN A SAFE DIRECTION. FAILURE TO FOLLOW THESE WARNINGS COULD RESULT IN SERIOUS INJURY OR DEATH, AND CAUSE DAMAGE TO YOUR FIREARM.

The barrel take-up adjustment feature is designed to maintain a tight barrel-to-receiver fit and accommodate wear. If, after extensive shooting and repeated removal and installation of the barrel/forearm, you detect some play in this connection, you can adjust the fit by following the procedure below.

1. Remove the barrel/forearm assembly as explained on page 40 and set the receiver half aside.
2. Locate the adjustment screw lock screw on the barrel/forearm half of the rifle (Figure 30, page 37). Using a standard screwdriver, turn the screw counterclockwise to loosen it until it clears the adjusting screw lock.

FIGURE 37



3. With your finger or the edge of a screwdriver, slide the adjusting screw lock in the slot away from the adjusting screw until it disengages its notches from the notches on the adjusting screw.
4. Adjust the fit of the receiver and barrel/forearm by turning the adjusting screw underneath the barrel with a standard screwdriver (Figure 37, page 43). To tighten the fit, turn the adjusting screw counterclockwise. To loosen the fit, turn the adjusting screw clockwise. Turn the adjustment screw only one notch at a time.
5. Slide the adjusting screw lock back into place against the adjustment screw. Tighten the adjustment screw lock screw by turning it clockwise.
6. Remount the barrel/forearm to the receiver and check the fit. If the fit is still too tight or too loose, continue to adjust the fit according to the directions. Adjusting is a matter of trial and error. It may take several attempts before you are satisfied with the fit. When you are satisfied with the fit, be sure to replace the adjustment screw lock and tighten the adjustment screw lock screw.

CLEANING AND MAINTENANCE SUGGESTIONS

▲WARNING

BEFORE PERFORMING CLEANING PROCEDURES, PLACE THE “SAFETY” IN THE ON SAFE POSITION, OPEN THE ACTION AND MAKE CERTAIN YOUR RIFLE IS COMPLETELY UNLOADED. KEEP THE MUZZLE POINTED IN A SAFE DIRECTION. FAILURE TO FOLLOW THESE WARNINGS COULD RESULT IN SERIOUS INJURY OR DEATH.

▲WARNING

WEAR EYE PROTECTION WHEN DISASSEMBLING AND CLEANING YOUR RIFLE TO PREVENT SPRINGS, SPRING-LOADED PARTS, SOLVENTS OR OTHER AGENTS FROM CONTACTING YOUR EYES, RESULTING IN INJURY.

▲WARNING

KEEP ALL AMMUNITION AWAY FROM THE CLEANING AREA. NEVER TEST THE MECHANICAL FUNCTION OF YOUR RIFLE WITH LIVE AMMUNITION. FAILURE TO FOLLOW THESE WARNINGS COULD RESULT IN SERIOUS INJURY OR DEATH.

CLEANING PROCEDURES

Your Model 1895 will function better and more reliably over a longer period of time if it is properly maintained and kept clean. Clean your firearm after each day of shooting and more often if it becomes excessively dirty. A minimum cleaning includes wiping down the action and oiling key parts. Regular maintenance will also include cleaning the barrel.

If you encounter a function problem be sure to give your firearm a thorough cleaning to see if it solves the problem before seeking the services of a Winchester Repeating Arms Authorized Service Center or our Service Facility in Arnold, Missouri, or a qualified gunsmith.

1. Open the action by completely lowering the lever.

2. Use a cleaning rod with a tip and patch large enough for a snug fit in the bore. Insert the rod and patch into the barrel at the muzzle end and run it back and forth several times. Care should be exercised to ensure that neither the cleaning rod nor the handle strikes the crown of the muzzle, as damage to this area can adversely affect the accuracy of the rifle. A muzzle protector can be purchased separately from your local firearms dealer to help protect the muzzle crown while cleaning the barrel of your rifle.

If your rifle is a takedown model you may disassemble it, as explained on pages 36-38, for cleaning and maintenance.

3. Inspect the chamber and bore for brass, copper and powder fouling. A normal amount of powder residue can be expected and is not serious. It can usually be removed by repeating Step 2, using a patch saturated with solvent. If, or when, fouling should become heavy, it can be removed with a brass bore brush. Dip or spray the brush with solvent and scrub the chamber and bore until the fouling is removed. To prevent brass bristles from breaking off, the brush should be pushed completely through the bore before being withdrawn. Your rifle will operate more smoothly and reliably with a clean bore and chamber.
4. To maintain the utmost accuracy of your rifle it is recommended you clean the bore with a copper solvent. Modern bullet jackets are made mainly of copper and zinc. Copper and zinc residue sticks to the bore and require more frequent cleaning. Swab the bore of your rifle with a good copper solvent using the product manufacturer's recommended procedure.
5. After fouling has been removed, wipe the bore dry. Then pass a lightly oiled patch through the barrel for preservation. A fine, light gun oil is recommended. The barrel and action should be inspected thoroughly to be certain no cleaning patches have been inadvertently left in them.

6. The interior of the receiver and the bolt should be wiped with a clean rag. Any dried oil in these areas or on the magazine follower should be removed. Follow this cleaning by applying a very light film of oil on the affected parts.
7. Lightly oil your firearm at the points described under “Initial Cleaning and Oiling” on pages 11-15. The metal of the gun should receive a light film of oil any time the rifle has been exposed to weather or handling. Remember, the polished, finely fitted surfaces of the receiver and action mechanisms must always have a thin film of oil. Make sure that the surfaces of the breech block, lever components and feed mechanism parts are especially clean and lightly oiled with a high quality gun oil.

NOTICE

DO NOT POUR LARGE QUANTITIES OF OIL INTO THE RECEIVER OR OTHER PARTS. IT CAN DRAIN DOWN TO THE WOOD AND SOFTEN IT, CAUSING PERMANENT DAMAGE AND LOOSENING OF THE STOCK.

8. Wipe all exposed metal surfaces of the receiver, forearm and barrel with a clean rag. Finger marks should be removed because they provide a place where moisture can accumulate. Any dried oil in the receiver area should also be removed.
9. Inspect the barrel and chamber. Make certain that no patches have been inadvertently left in them. Remove any that remain.
10. The wood surfaces of your rifle can also be wiped lightly with fine oil, or you can apply a quality wood or furniture polish to the stock and forearm. Using one of these methods (not both), will enhance the beauty and durability of your rifle.

REMOVING THE TOP GUARD

The top guard is easily removable for cleaning and maintenance. Do not squeeze on the top guard. Too much pressure could cause the wood to split.

FIGURE 38



Carefully lift the top guard and turn it 90° to clear the ladder sight.

▲WARNING

BEFORE REMOVING THE TOP GUARD, PLACE THE “SAFETY” IN THE ON SAFE POSITION. OPEN THE ACTION AND MAKE CERTAIN YOUR RIFLE IS COMPLETELY UNLOADED. KEEP THE MUZZLE POINTED IN A SAFE DIRECTION. FAILURE TO FOLLOW THESE WARNINGS COULD RESULT IN SERIOUS INJURY OR DEATH.

1. Flip the ladder sight into the rearward, upright position, and slide the slide assembly to the top of the sight ladder. This will help prevent the top guard from being scratched during the removal process.
2. The top guard is held in place with two clips. Carefully lift the top guard until it is free from the barrel of the rifle (Figure 38, page 47).
3. Turn the top guard 90° and lift it carefully over the ladder sight.

Reverse the above procedures for installation.

NOTICE

AS WITH THE ORIGINAL MODEL 1895 VERSIONS THAT INCORPORATE A TOP GUARD, THE CLIPS THAT FIT THE TOP GUARD TO THE BARREL MAY SCRATCH THE BARREL DURING THE ASSEMBLY/DISASSEMBLY PROCESS. TO MAINTAIN THE FINISH ON THE

FIGURE 39



The buttstock features a space to hold a cleaning kit or other small items.

BARREL, ONLY REMOVE THE TOP GUARD WHEN MAINTENANCE IS NECESSARY.

BUTTSTOCK TRAP DOOR

As was common with many rifles of the era, some Model 1895 versions incorporate a compartment in the buttstock just large enough to hold a compact cleaning kit or cleaning rod (not included) (Figure 39, page 48). This convenient space is accessible by sliding the cover in the center of the buttplate upwards. You may choose to utilize the space for cleaning equipment or small accessories or just enjoy this historic period feature.

ADDITIONAL SUGGESTIONS

- When transporting your rifle, store it in a quality protective case to prevent scratches and dents. Store your rifle in a cool, dry place to prevent corrosion. Store your rifle and ammunition separately, away from children.
- After extended periods of heavy use, your firearm should be taken to a qualified gunsmith to have the action disassembled for professional cleaning and lubrication.

NOTICE

NEVER ATTEMPT TO TAKE YOUR FIREARM APART FURTHER THAN EXPLAINED IN THIS OWNER'S

MANUAL. YOUR FIREARM IS A SPECIALIZED, FINELY FITTED MECHANISM. YOU MAY PERMANENTLY DAMAGE IT BY ATTEMPTING TO DISASSEMBLE THE INNER MECHANISM. IF FURTHER DISASSEMBLY FOR SERVICE OR CLEANING IS REQUIRED, TAKE YOUR FIREARM TO A QUALIFIED GUNSMITH, OR CONTACT OUR ARNOLD, MISSOURI SERVICE FACILITY AS EXPLAINED ON PAGES 49 AND 50 UNDER “PARTS, SERVICE, REPAIR AND QUESTIONS.”

PARTS, SERVICE, REPAIR AND QUESTIONS

If your Winchester firearm should require service or repair, we suggest first contacting a Winchester Repeating Arms Authorized Repair Center. To locate an Authorized Repair Center visit winchesterguns.com, contact our customer service department or ask your local Winchester Repeating Arms dealer. You may also send your firearm to the Winchester Repeating Arms Service Facility in Arnold, Missouri. In order to avoid service delays, do not send your firearm directly to our service facility without authorization from one of our service specialists.

Parts listings, a list of Authorized Repair Centers, service procedures, service/repair form and general product information are on the web at winchesterguns.com.

When returning your firearm for servicing, you must do the following:

1. Be sure it is completely unloaded.
2. Remove any optics, optic mounts or other accessories.
3. Package it securely in a cardboard container.
4. Enclose the service/repair form available at winchesterguns.com or a letter that clearly describes the trouble experienced, the ammunition used and the repairs desired. Also include your name, email address (if possible) and a daytime phone number where you can be reached.

WINCHESTER®

REPEATING ARMS

5. Never return ammunition with your firearm. It is against postal and most commerce regulations.

PARTS, SERVICE, REPAIR STATUS AND TECHNICAL QUESTIONS

Winchester Repeating Arms

Parts and Service

3005 Arnold Tenbrook Road
Arnold, MO 63010-9406
(800) 322-4626

GENERAL PRODUCT AND HISTORICAL QUESTIONS

Winchester Repeating Arms

Customer Service

275 Winchester Avenue
Morgan, UT 84050-9333
(800) 945-5237

customersupport@winchesterguns.com

▲WARNING

PARTS ARE MADE FOR WINCHESTER BRAND FIREARMS MANUFACTURED BY OR FOR WINCHESTER REPEATING ARMS, AND SHOULD NOT BE USED IN OTHER FIREARMS, EVEN THOUGH MODELS MAY BE SIMILAR. IMPROPERLY FITTED PARTS MAY BE DANGEROUS. FAILURE TO FOLLOW THIS WARNING MAY CAUSE INJURY OR DEATH AND CAUSE DAMAGE TO YOUR FIREARM.

WEBSITE INFORMATION

An information resource for Winchester Repeating Arms can be found online at winchesterguns.com.

- List of Authorized Repair Centers.
- Customer Service information.
- Firearm Service/Repair Form.
- Answers to many technical and historical questions.
- Links to helpful sites.

WINCHESTER[®]

REPEATING ARMS



Winchester Repeating Arms
275 Winchester Avenue
Morgan, UT 84050-9333
(800) 945-5237
winchesterguns.com

Winchester is a registered trademark of Olin Corporation.

AO1909/19370